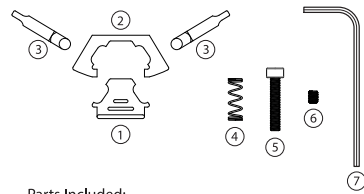
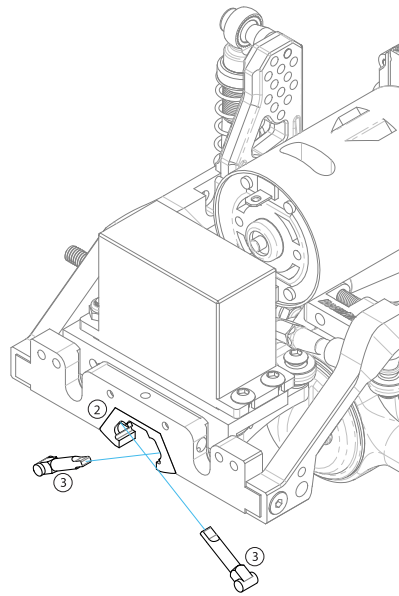
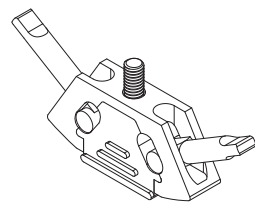


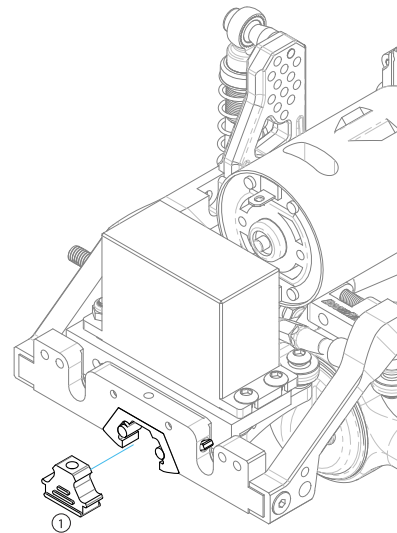
## "Tool Free" Quick Release Latch for BRX01 (#BRLC7062) Installation Manual



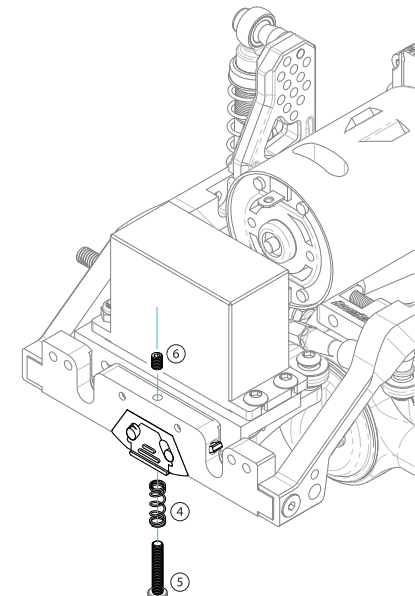
Parts Included:	Qty.
(1) Handle	1
(2) Guard	1
(3) Lock Pin	2
(4) Preload Spring	1
(5) M2.5x14 Socket Cap Screw	1
(6) M2.5x2.5 Grub Screw	2
(7) Hex Key	1



1. Remove the two M4x12 screws and place the Guard in the recess. Insert the Lock Pins into the two holes (make sure they are lined up).



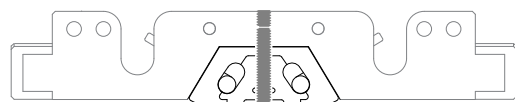
2. Slide the Handle in from the front and lock everything in place.



3. Put the Preload Spring over the M2.5x14 Socket Cap Screw and screw it down until the top of the Socket Cap Screw is level with the Handle. Lock down the Socket Cap Screw with the M2.5x2.5 Grub Screw from the top to complete the installation.

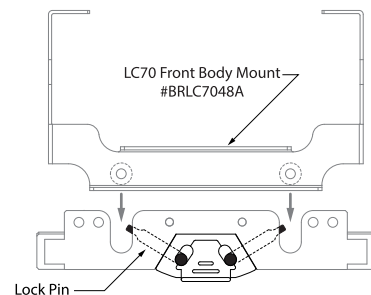
[WWW.BOOMRACINGRC.COM](http://WWW.BOOMRACINGRC.COM)

## "Tool Free" Quick Release Latch for BRX01 (#BRLC7062)



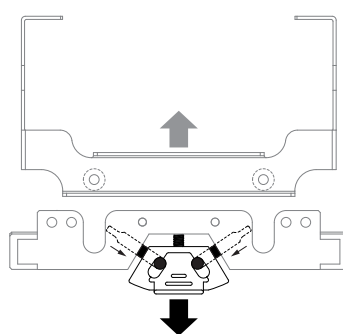
M2.5x14 Socket Cap Screw must be level with Handle to operate correctly.

Operating the Quick Release Latch system



Lock Pin

To latch the body down, push down on the body where the body mount is located until the lock pins click in place.



To release the body, pull down the handle to retract the lock pins and lift the front of the body up.

[WWW.BOOMRACINGRC.COM](http://WWW.BOOMRACINGRC.COM)

## YOUR R/C HOP-UPS SPECIALIST

We love building scale models. Let's be honest. Which badass doesn't love a beautiful looking car? Our focus is on designing the best looking products that really perform; products that withstand beating and still look great enough to be shelf queens. Offering you the latest designs made with the highest possible quality at affordable prices is our absolute focus for all enthusiastic hobbyists.

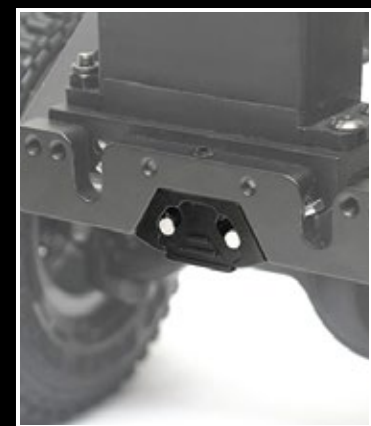
Since 2012, Boom Racing has been manufacturing extreme performance RC products. We want you to love and enjoy these amazing "scale" and "performance" based products to create your own unique realistic RC builds.

We are never going to stop at giving you the best updates and upgrades on our product lines. That's our passion and our commitment to keep you on your toes with excitement and anticipation for what's to come next.

Enjoy being a BADASS!



## "Tool Free" Quick Release Latch for BRX01 (#BRLC7062)



ENJOY BEING A BADASS



#boomracing



[www.facebook.com/boomracingrc](http://www.facebook.com/boomracingrc)

[www.boomracingrc.com](http://www.boomracingrc.com)

Copyright © Boom Racing Co. Ltd