

BOOMRACING 

ZIL PICKUP

FOR

BRX01

AWB

*ADJUSTABLE WHEELBASE 1/10
4WD RADIO CONTROL CHASSIS KIT*





Apply Double Sided Tape



Pay attention to note



Apply Glue

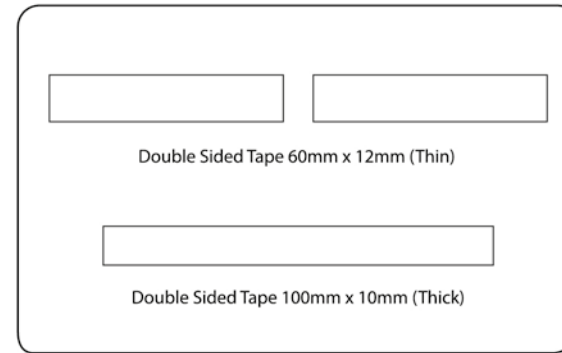
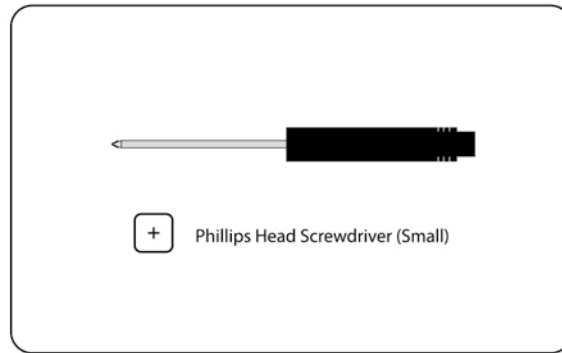


Drill Hole

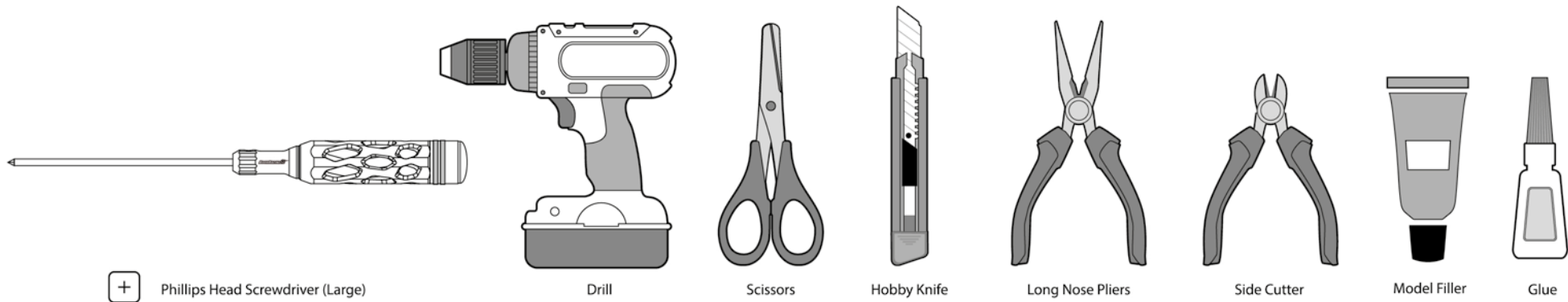


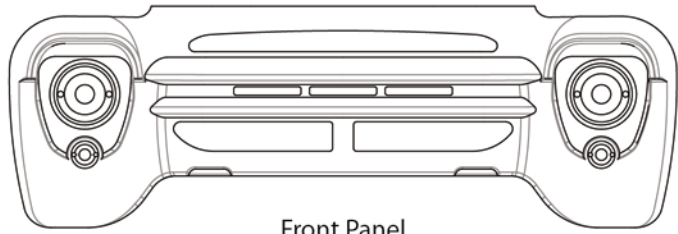
Apply Model Filler

Tools Included

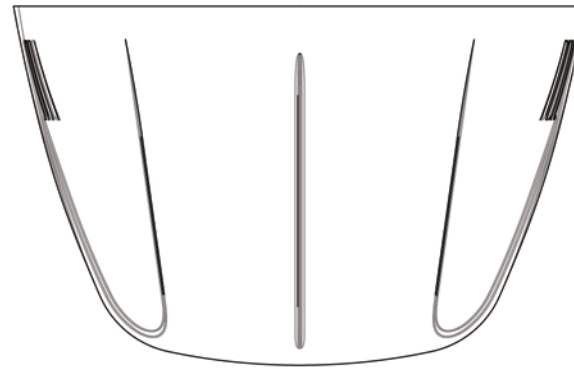


Tools Required

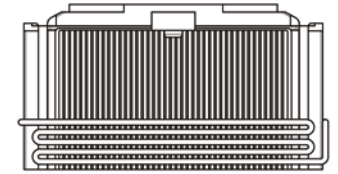




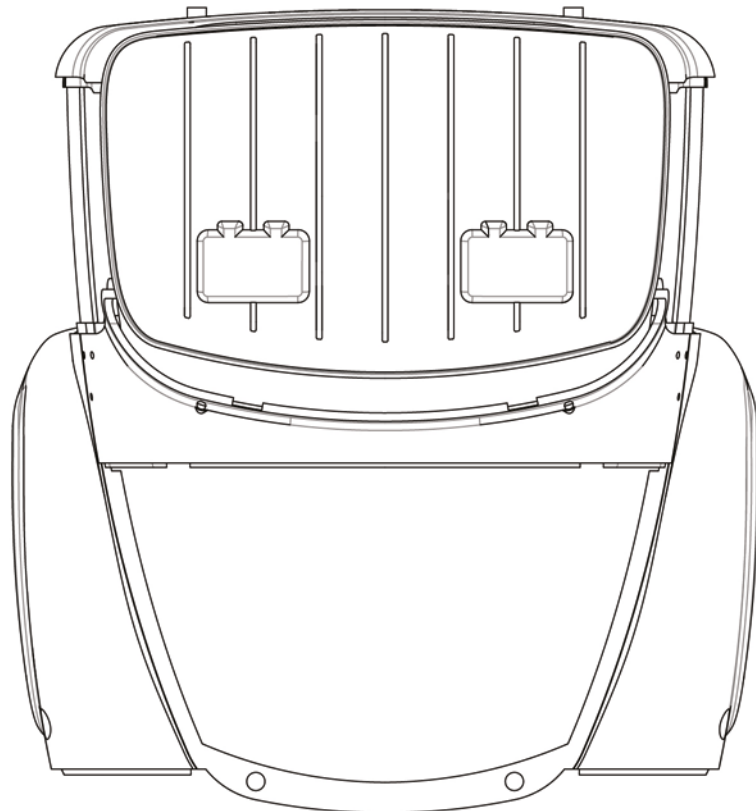
Front Panel
#BRZIL009



Hood
#BRZIL008



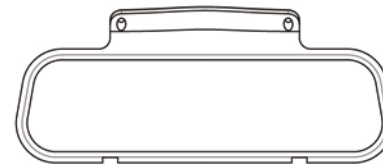
Radiator Front



Main body
#BRZIL001



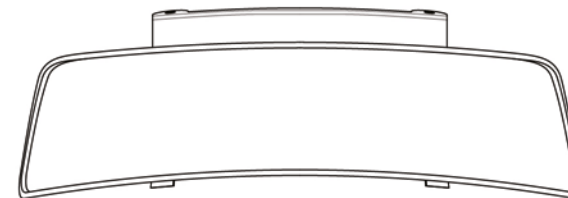
Radiator Back



Rear Window



Radiator Top



Windshield

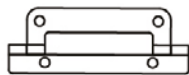


Radiator Cap

#BRZIL002

#BRZIL026

∅2.4mm Shift Shaft x 2
#BRZIL029



Door Hinge x 2
#BRZIL013



Mirror x 2
#BRX02306

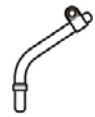
#BRX02317



Mirror Housing x 2



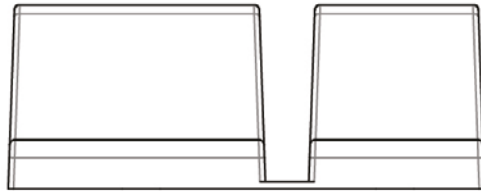
Mirror Arm (L)



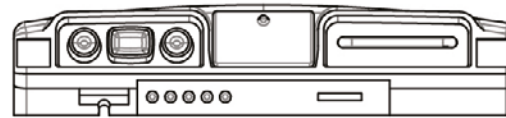
Mirror Arm (R)

Spring Plunger x 4
#BRZIL030

Door Latch x 2
#BRZIL006

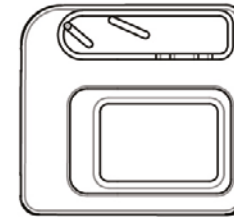


Seat
#BRZIL005

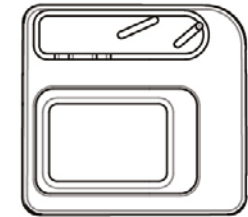


Dashboard
#BRZIL004

#BRZIL003

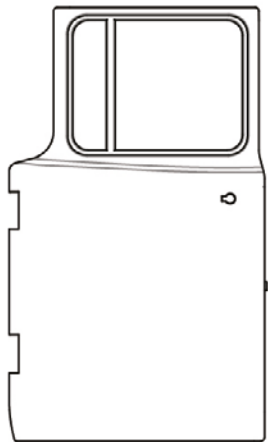


Door Panel (L)

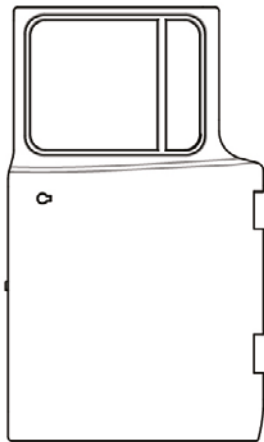


Door Panel (R)

#BRZIL007



Door (L)



Door (R)



Body Mount (L)



Body Mount (R)



Front Bumper Bracket (L)



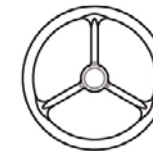
Front Bumper Bracket (R)



Side Mirror Bracket (L)



Side Mirror Bracket (R)



Steering Wheel



Door Handle x 2



Hood Hinge (L)



Hood Hinge (R)



Wiper (L)

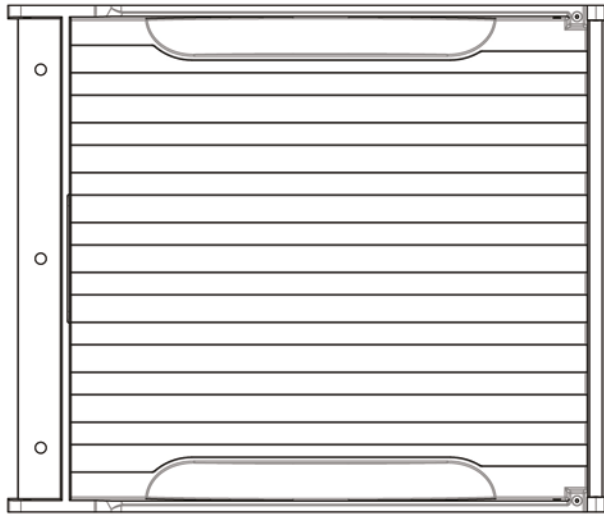


Wiper (R)

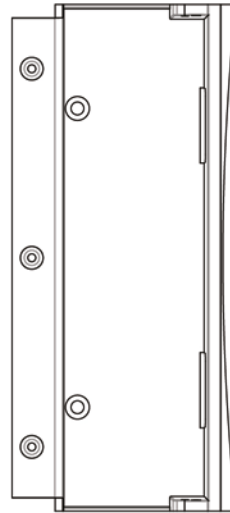
#BRZIL011

#BRZIL012

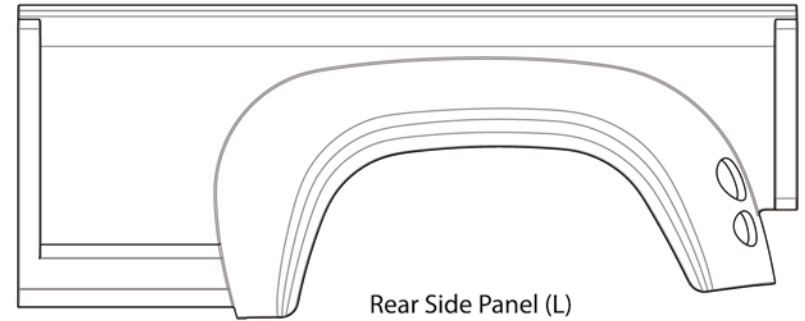
#BRZIL032



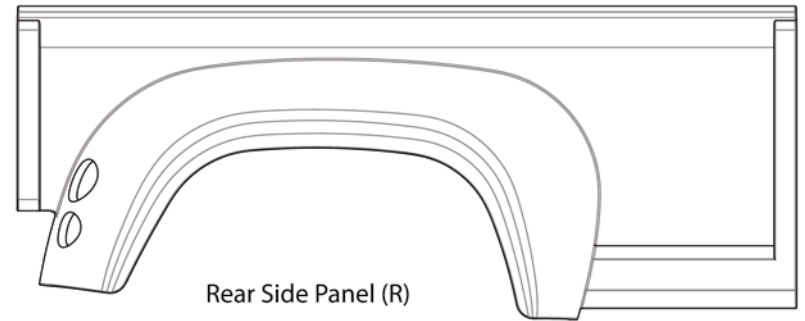
Inner Rear Bed
#BRZIL020



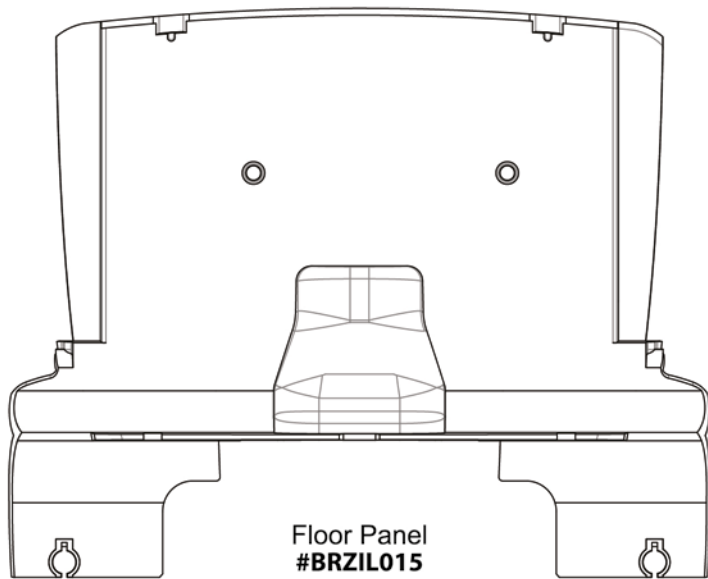
Battery Compartment
#BRZIL021



Rear Side Panel (L)



Rear Side Panel (R)



Floor Panel
#BRZIL015

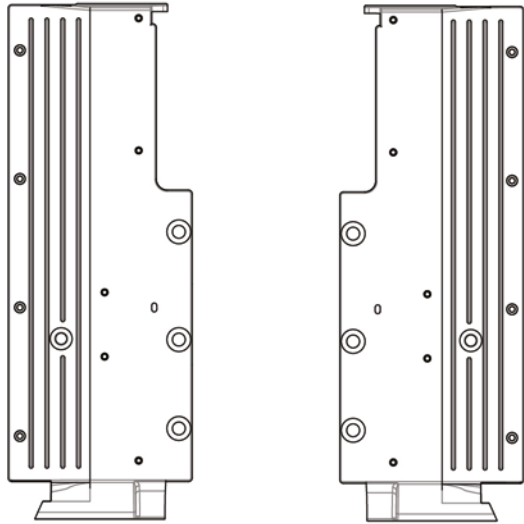


Tailgate
#BRZIL019



Battery Box Cover
#BRZIL023

#BRZIL024



Center Lower Slider (L)

Center Lower Slider (R)

#BRZIL016



Side Extension (L)



Side Extension (R)

#BRZIL018



Taillight Housing (L)



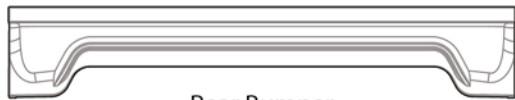
Taillight Housing (R)



Plunger Housing x 2



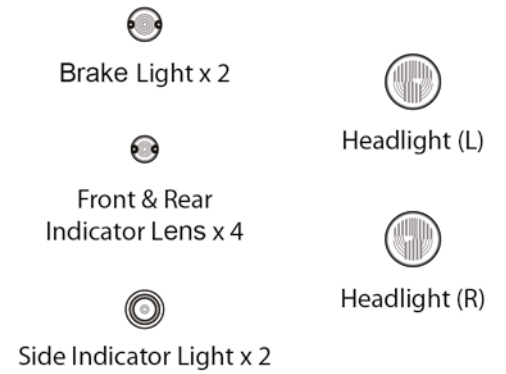
Side Step x 2
#BRZIL025



Rear Bumper
#BRZIL022



Front Bumper
#BRZIL010



#BRZIL014

MAGNET LIST

- ø4.7x2 Magnet x 2
- ø3x6.5 Magnet x 2


#BRZIL027

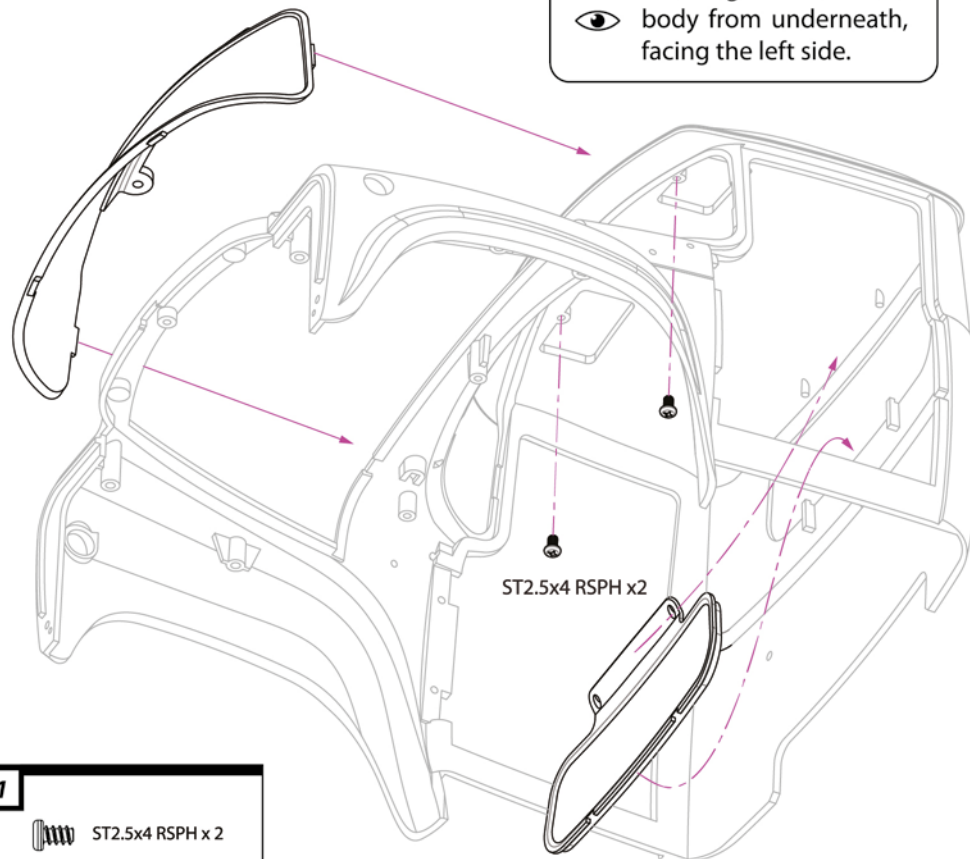
HARDWARE LIST

- | | | |
|-------------------|-------------------|-----------------------|
| ST1x4 RSPH x 12 | ST2.5x6 RSPH x 11 | M2.5x6 CSS x 3 |
| ST1.5x4 RSPH x 12 | ST2.6x8 RSPH x 6 | M3x6 CSS x 8 |
| ST1.6x6 RSPH x 2 | ST3x6 RSPH x 7 | M3x8 RS x 2 |
| ST2x4 RSPH x 10 | ST2.5x8 RS x 2 | D3/7x0.5 Spacer x 2 |
| ST2x6 RSPH x 4 | ST3x8 RS x 2 | D2.5/5x0.5 Spacer x 8 |
| ST2x8 RSPH x 2 | ST3x12 RS x 2 | |
| ST2.5x4 RSPH x 11 | | |


#BRZIL028

- 1** Secure the front windshield to the main body using two ST2.5x4 RSPH screws. Clip the rear window into place as shown in the diagram.


 The diagram shows the body from underneath, facing the left side.

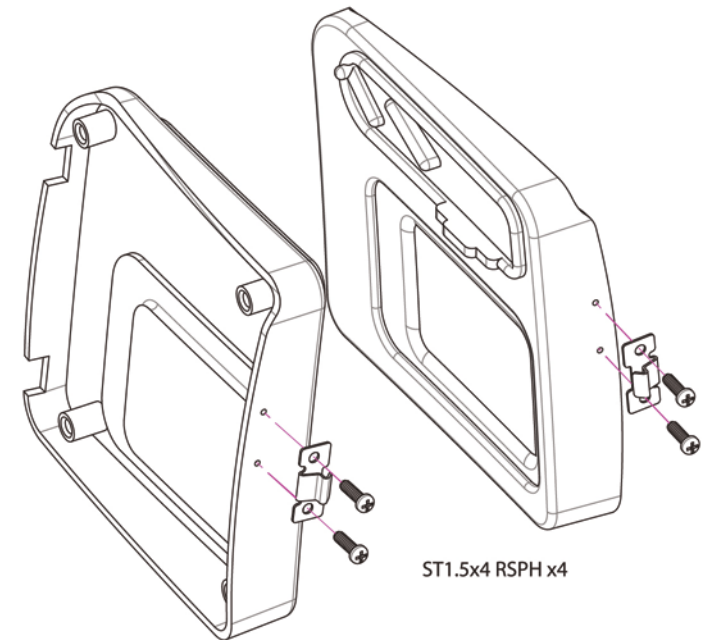


1

 ST2.5x4 RSPH x 2

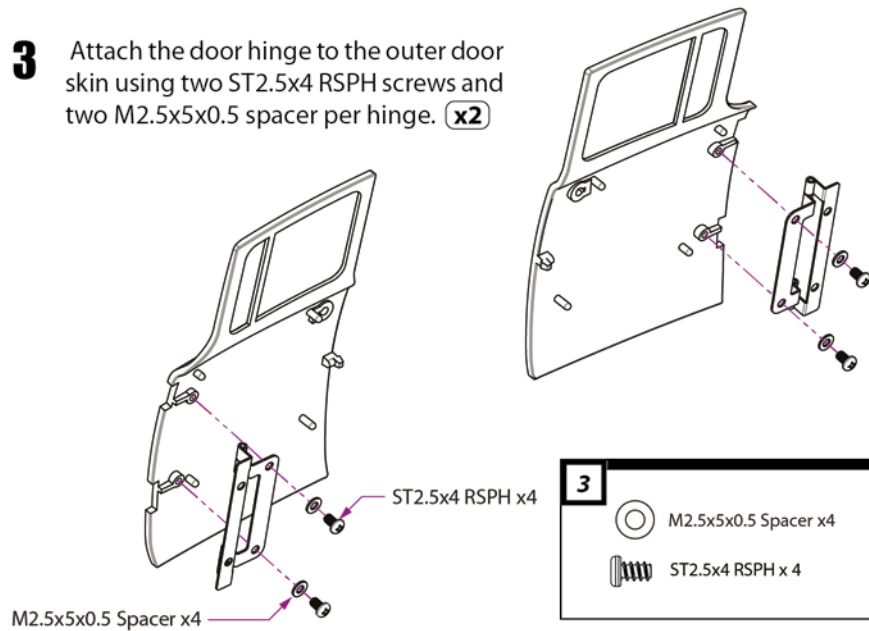
2

 ST1.5x4 RSPH x 4

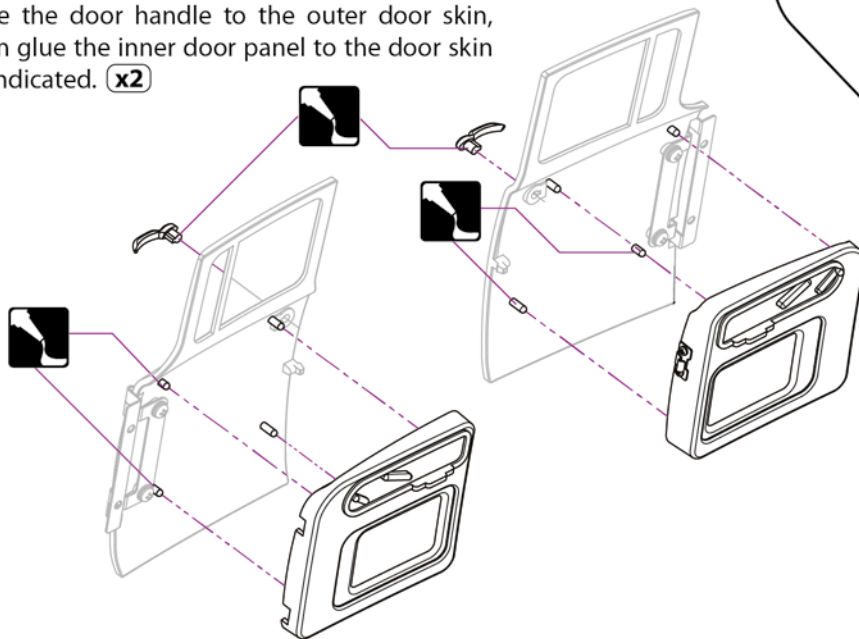


- 2** Fasten the metal door latch to the inner door panel with two ST1.5x4 RSPH screws. **x2**

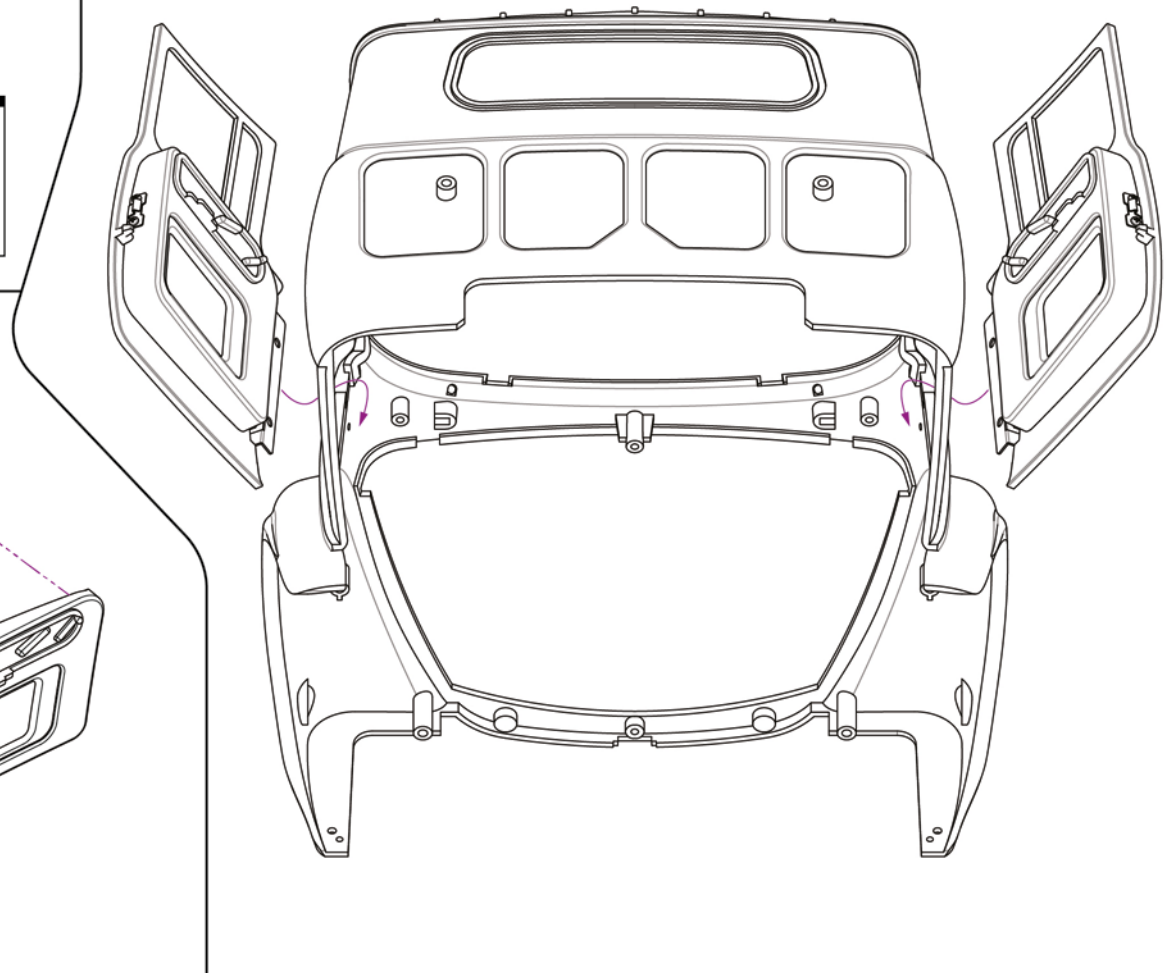
- 3** Attach the door hinge to the outer door skin using two ST2.5x4 RSPH screws and two M2.5x5x0.5 spacer per hinge. **x2**



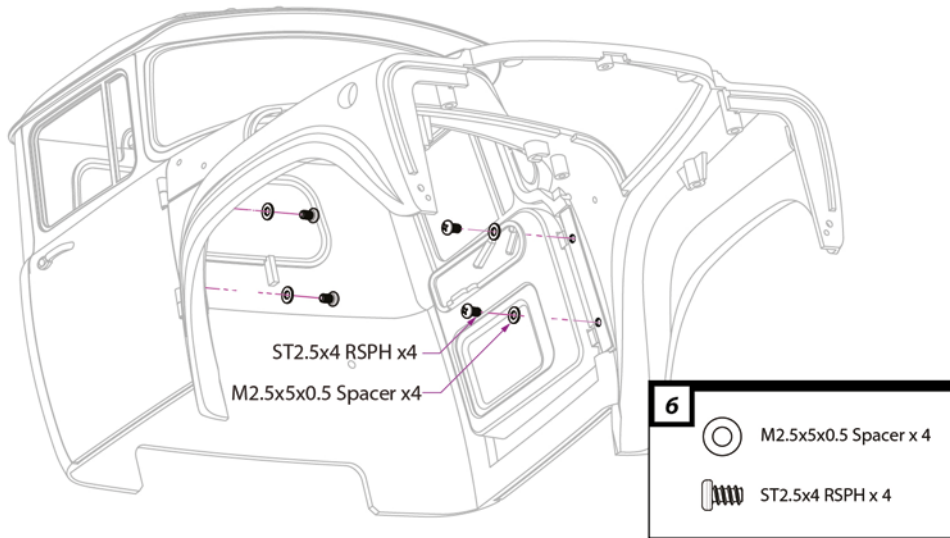
- 4** Glue the door handle to the outer door skin, then glue the inner door panel to the door skin as indicated. **x2**



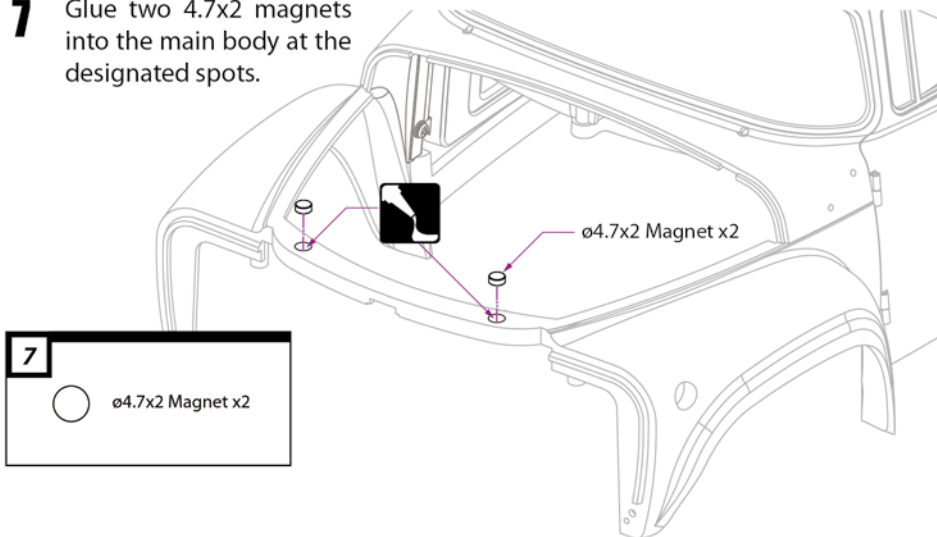
- 5** Insert both completed doors into the main body as shown.



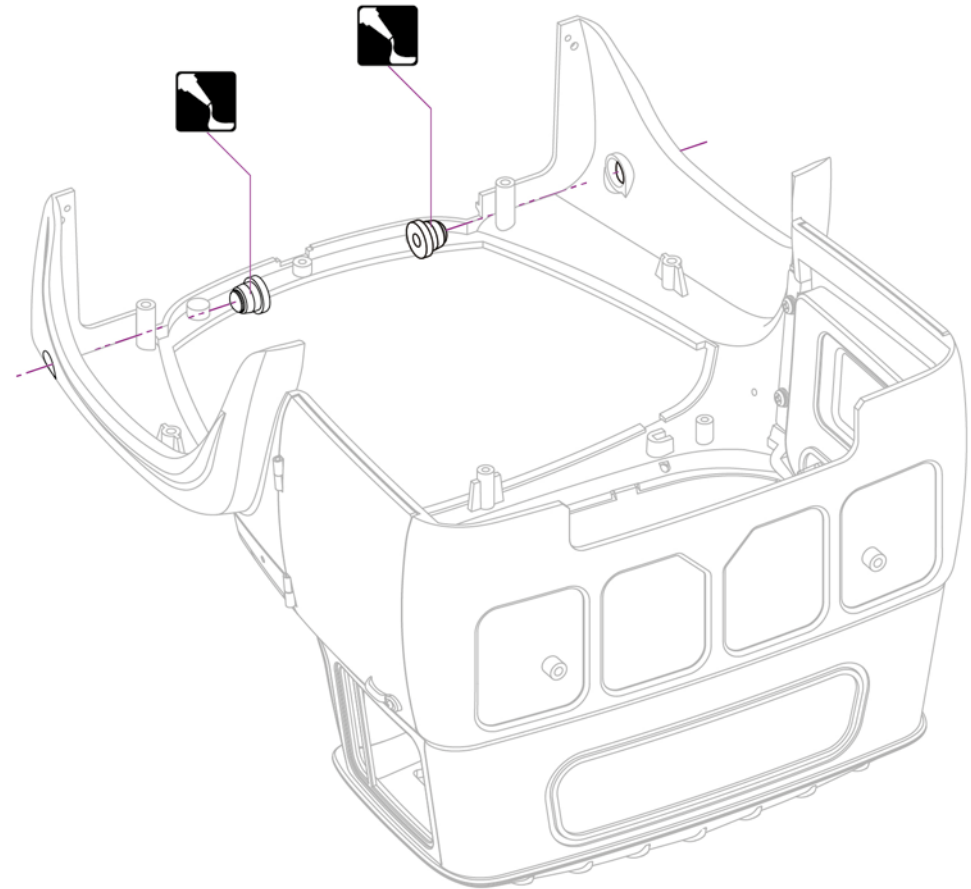
- 6** Secure the doors to the main body with four ST2.5x4 RSPH screws and four M2.5x5x0.5 spacers.




- 7** Glue two 4.7x2 magnets into the main body at the designated spots.

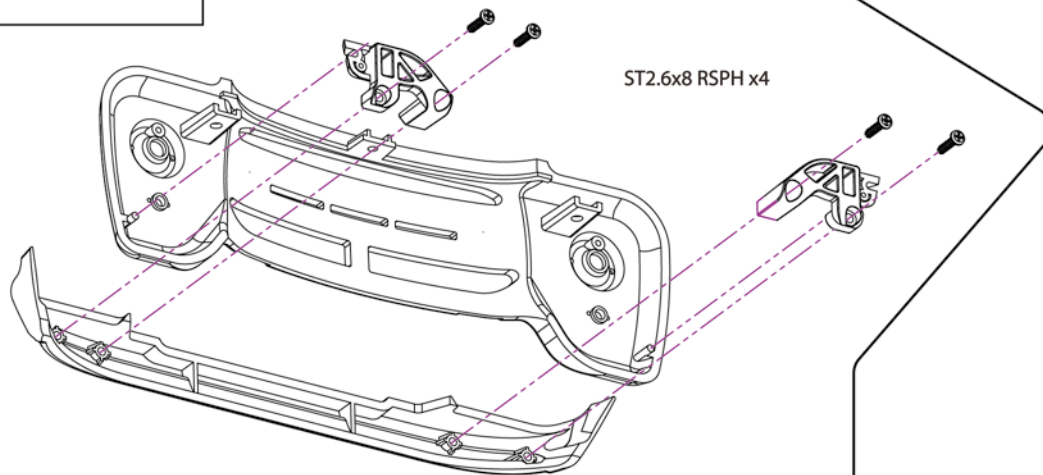


- 8** Glue the side indicators onto the main body as indicated.



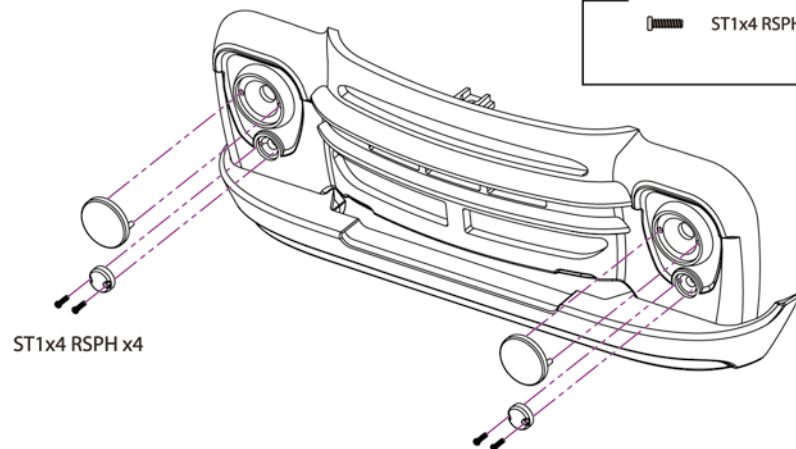
9  ST2.6x8 RSPH x4

9 Attach the two bumper bracket to the bumper with four ST2.6x8 RSPH screws, sandwiching the front panel between them.

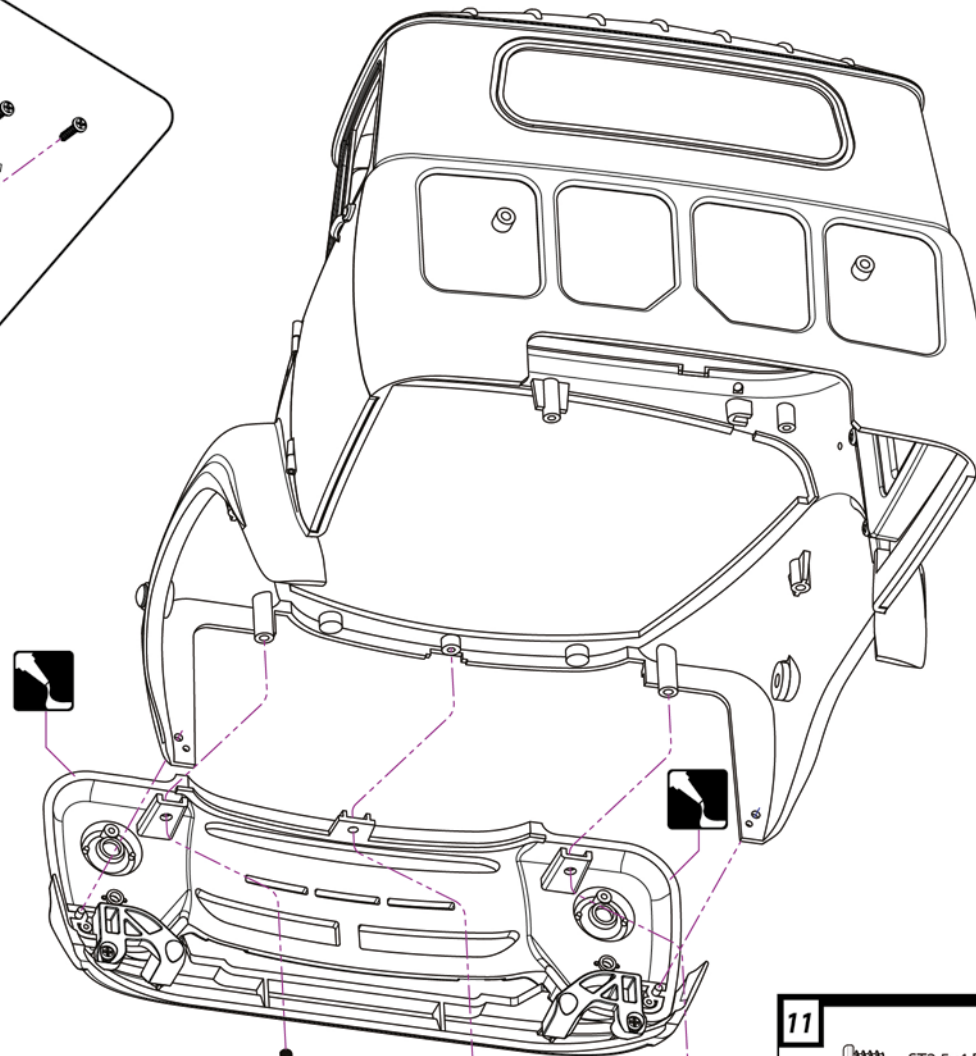




10 Install the headlight and indicator lenses on the front panel.
 Glue the larger headlight lens (tip: insert it first, then apply glue from the back for a cleaner finish).
 Secure the two smaller indicator lenses with four ST1x4 RSPH screws.

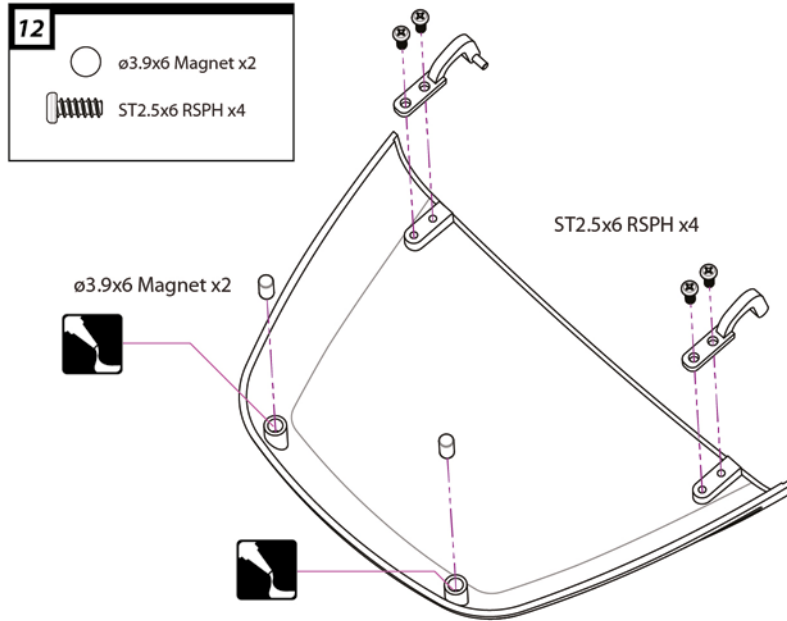
10  ST1x4 RSPH x4



11 Attach the front panel to the main body using two ST3x6 RSPH screws, one ST2.5x4 RSPH screw. Add a drop of glue to the specified spots as indicated.

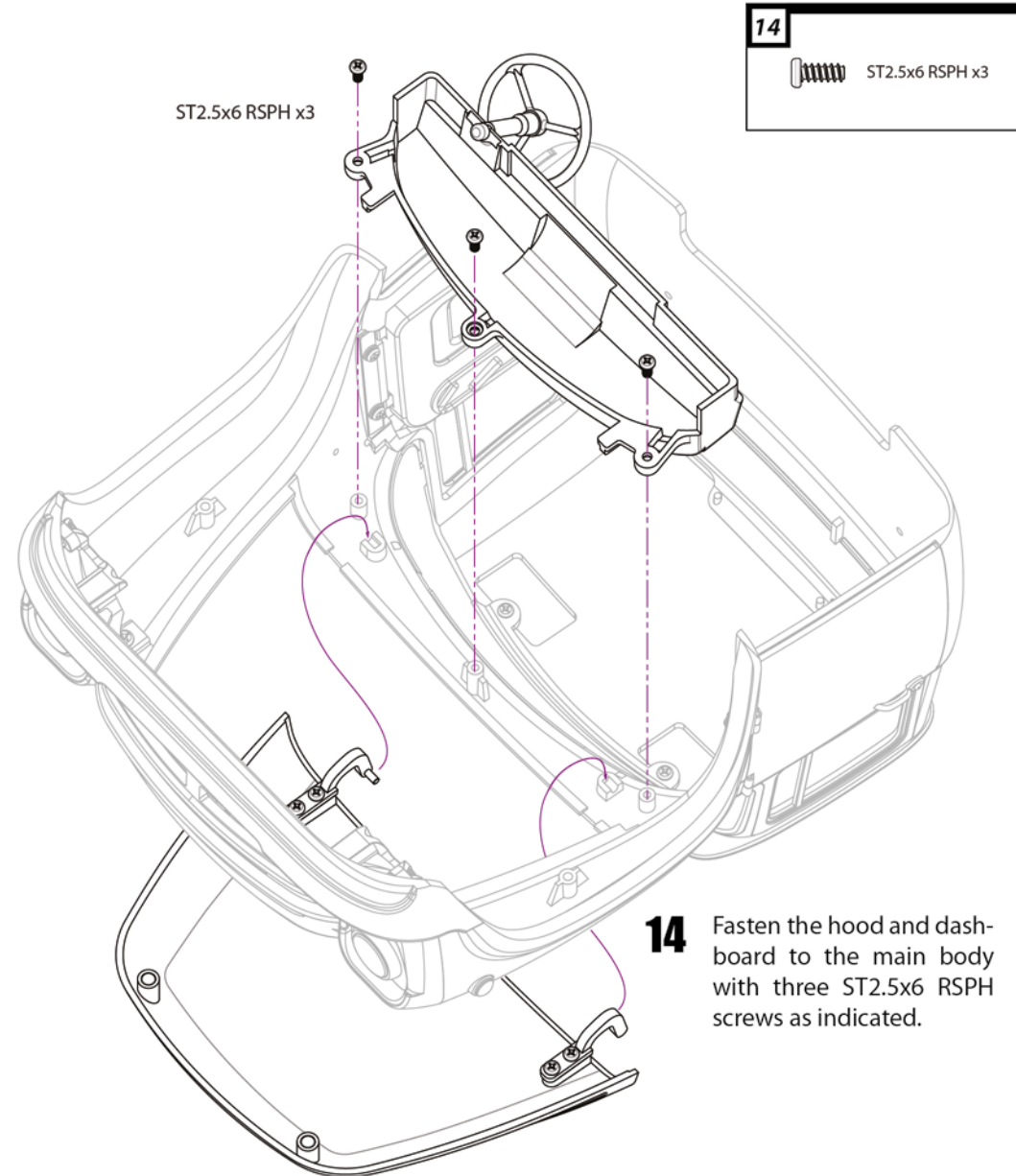
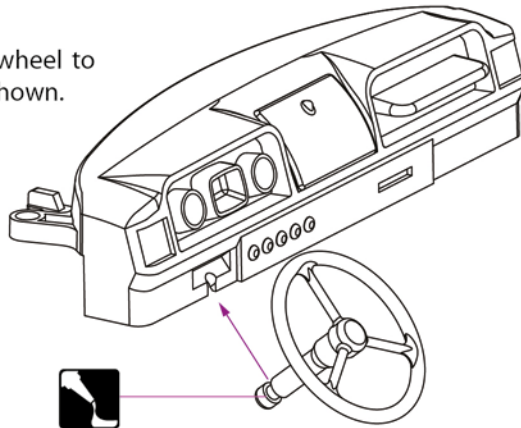


11  ST2.5x4 RSPH x1
 ST3x6 RSPH x 2



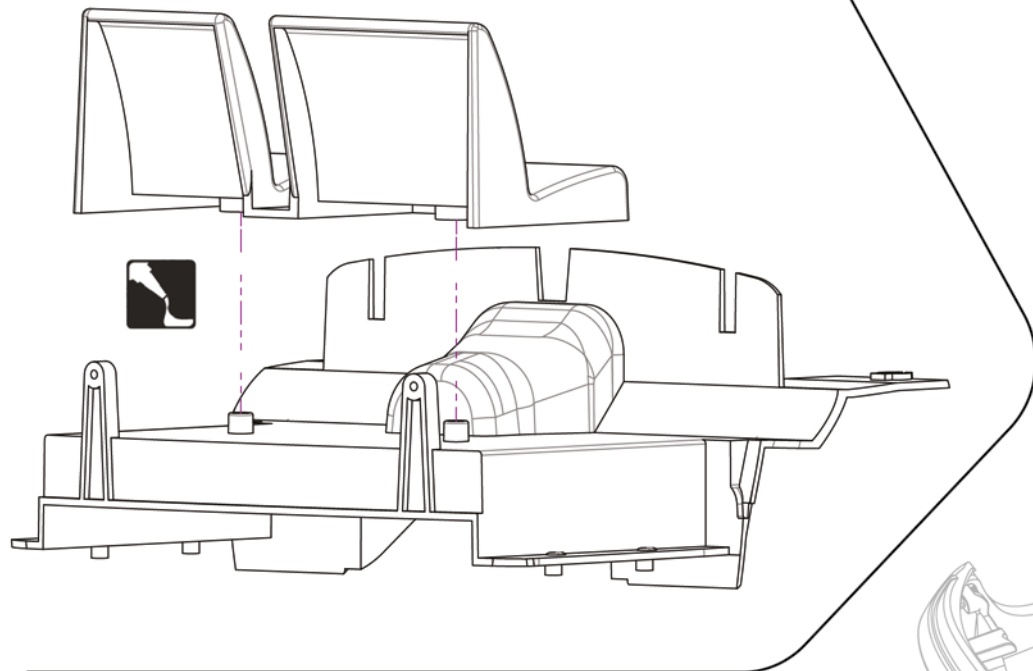
- 12** Mount the hood hinges to the hood with four ST2.5x6 RSPH screws. Glue two 3.9x6 magnets into the hood at the indicated locations, ensuring polarity aligns with the main body magnets.

- 13** Glue the steering wheel to the dashboard as shown.

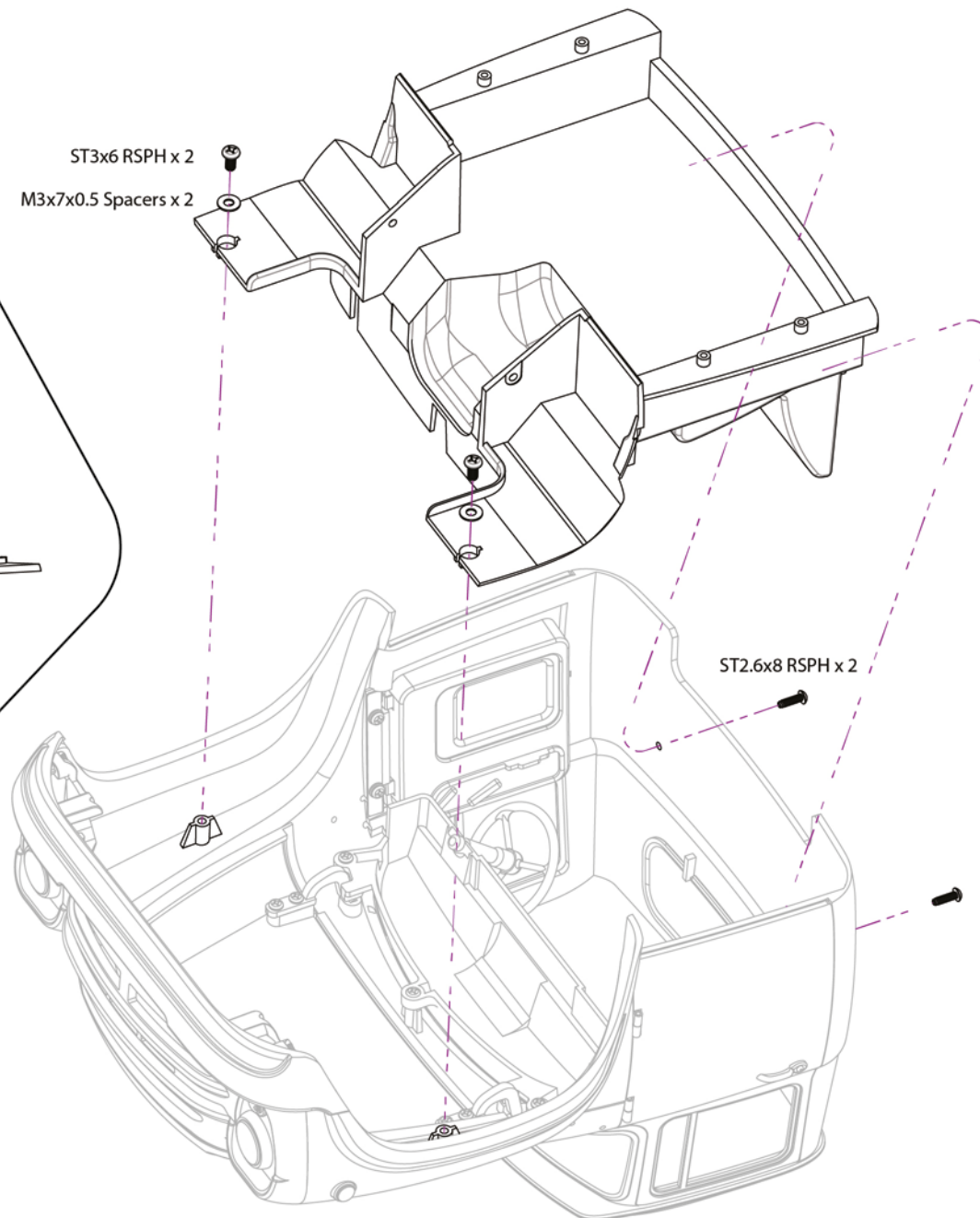


- 14** Fasten the hood and dashboard to the main body with three ST2.5x6 RSPH screws as indicated.

15 Glue the seats to the floor panel at the designated spots.



ST3x6 RSPH x 2
M3x7x0.5 Spacers x 2



16



M3x7x0.5 spacers X 2



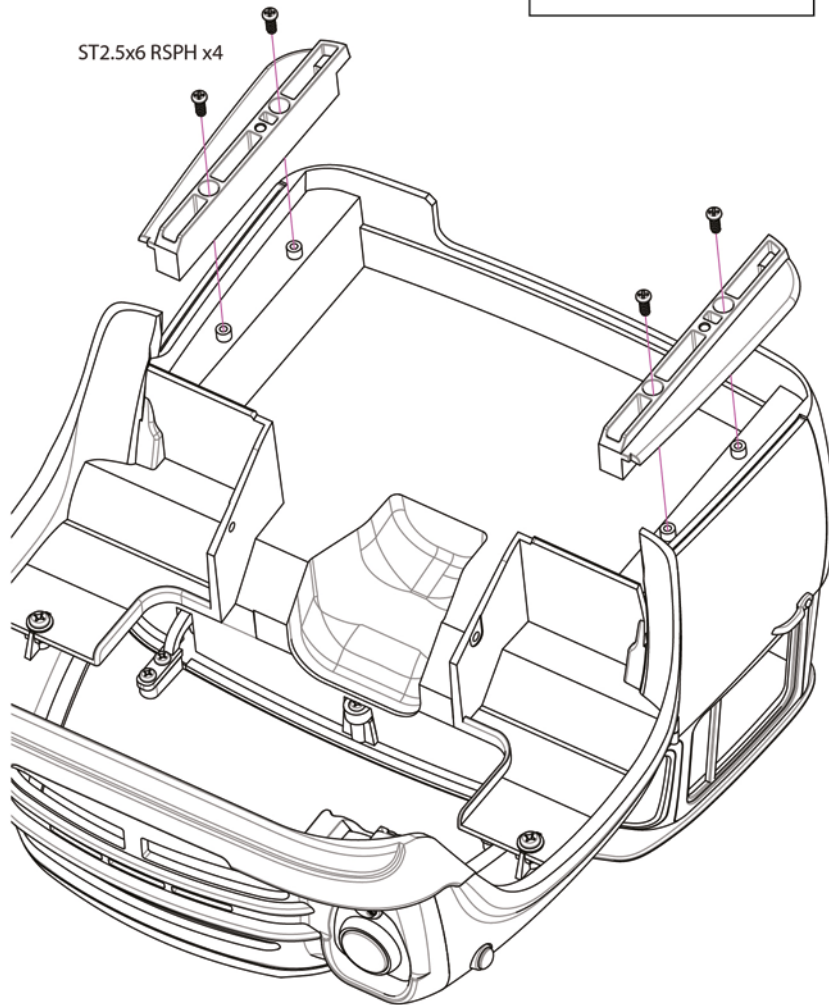
ST2.6x8 RSPH x 2



ST3x6 RSPH x 2

16 Secure the floor panel to the main body using two ST3x6 RSPH screws with two M3x7x0.5 spacers, and two ST2.6x8 RSPH screws.

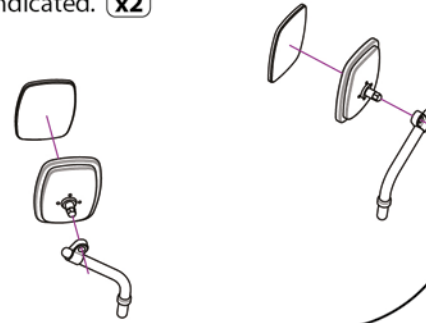
17

 ST2.5x6 RSPH x4


- 17** 17. Attach the body side extensions to the floor panel with four ST2.5x6 RSPH screws as shown.

18

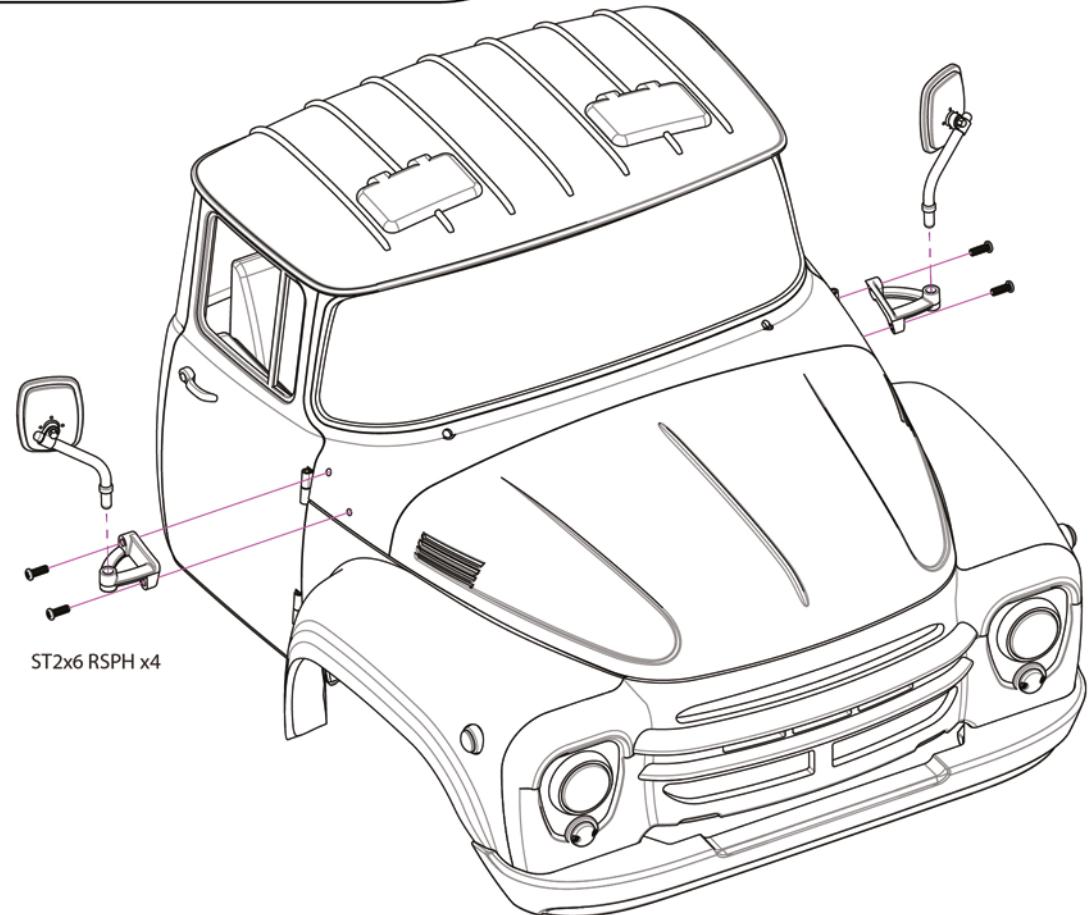
Use double-sided tape to attach the mirror to its housing, then press the assembly into the mirror arm as indicated. **x2**

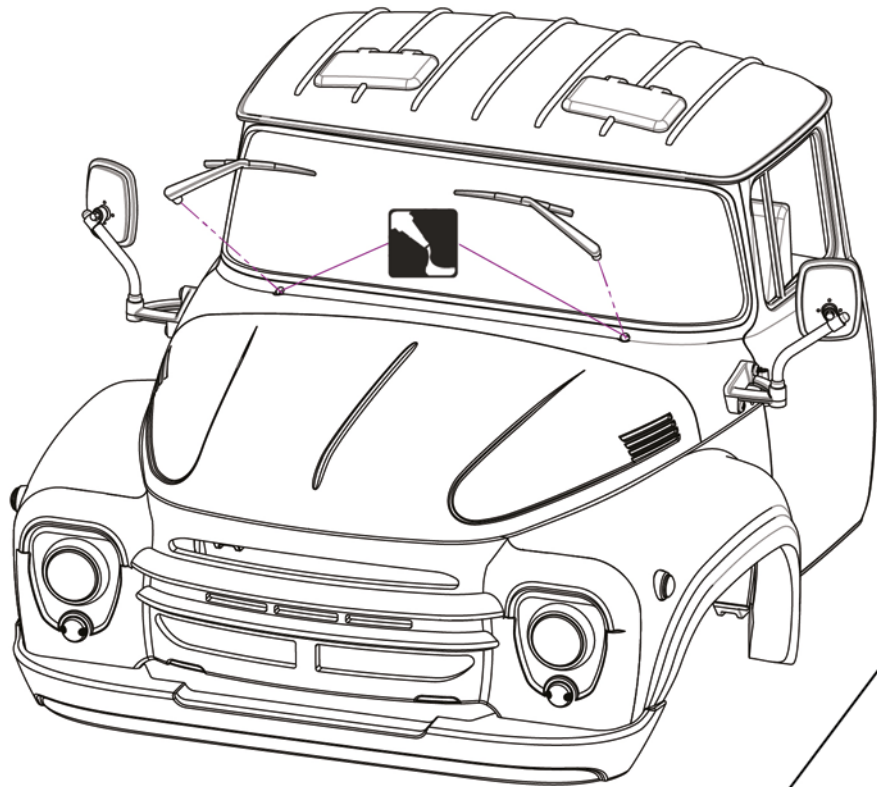


19

 ST2x6 RSPH x4

- 19** 19. Mount the side mirror bracket to the main body with four ST2x6 RSPH screws, then insert the two mirror assemblies as shown.

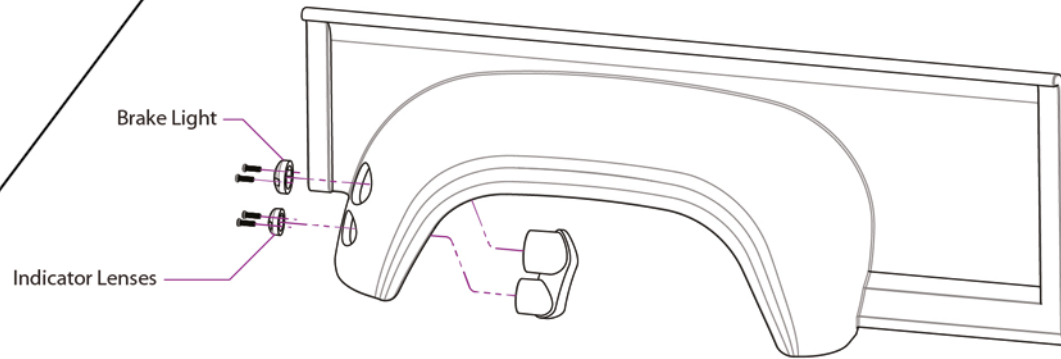
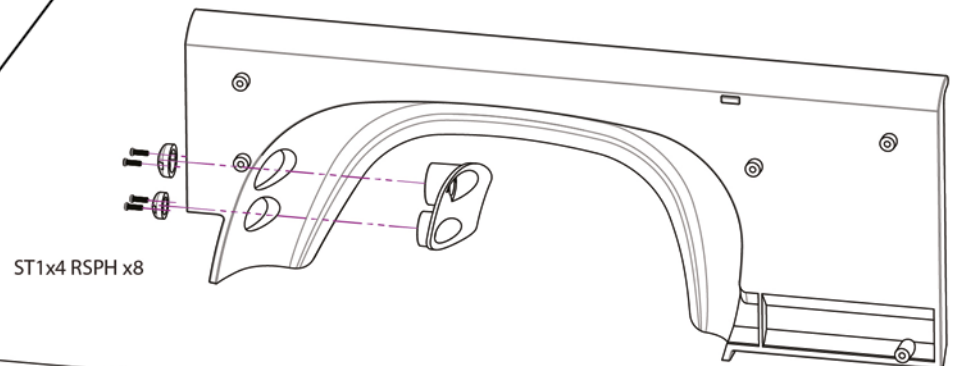


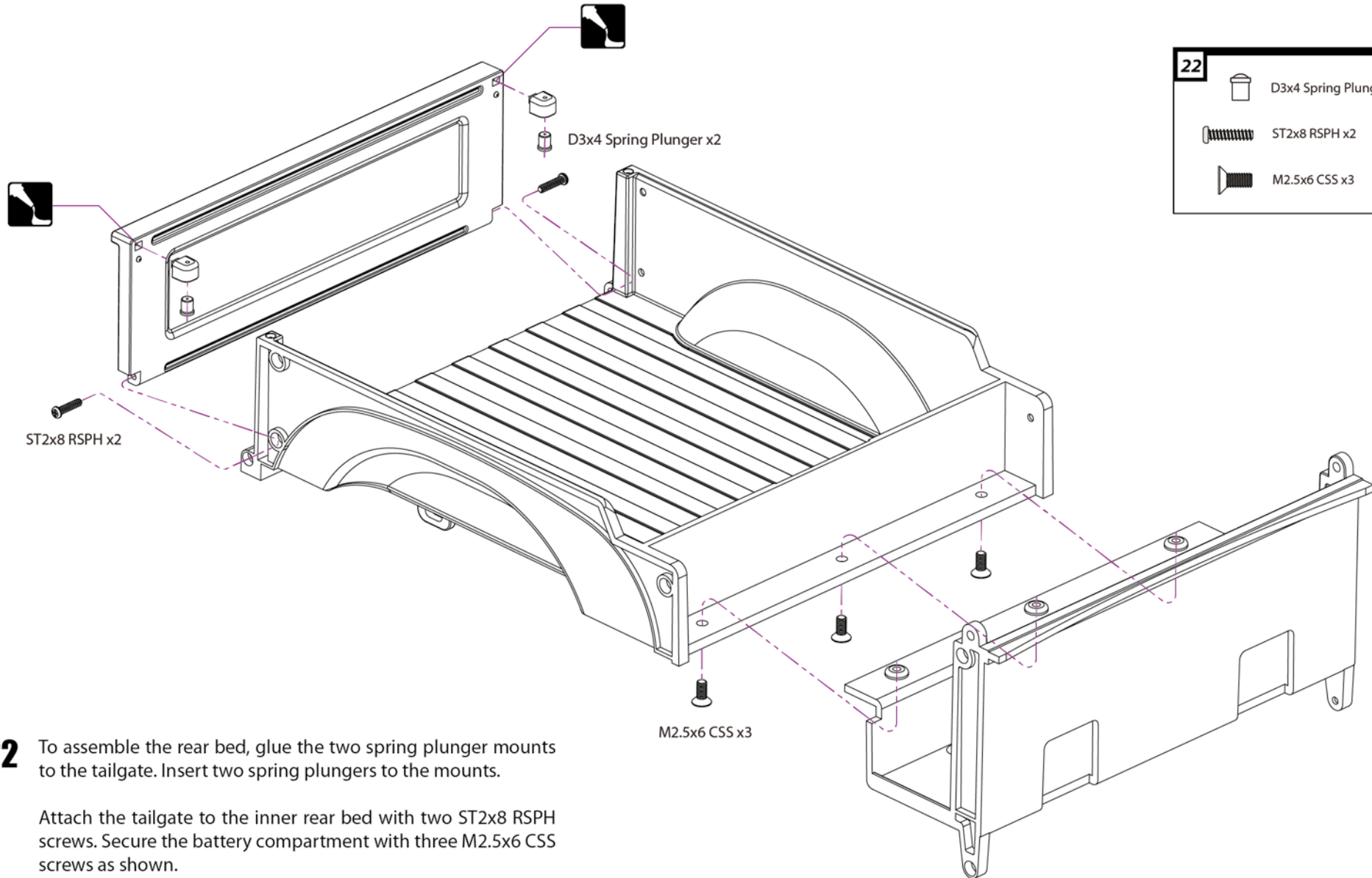


20 Glue the windshield wipers to the main body.



21 To assemble the rear lights, glue the two taillight housings to the rear side panels. Secure the brake light and indicator lenses with eight ST1x4 RSPH screws as indicated.






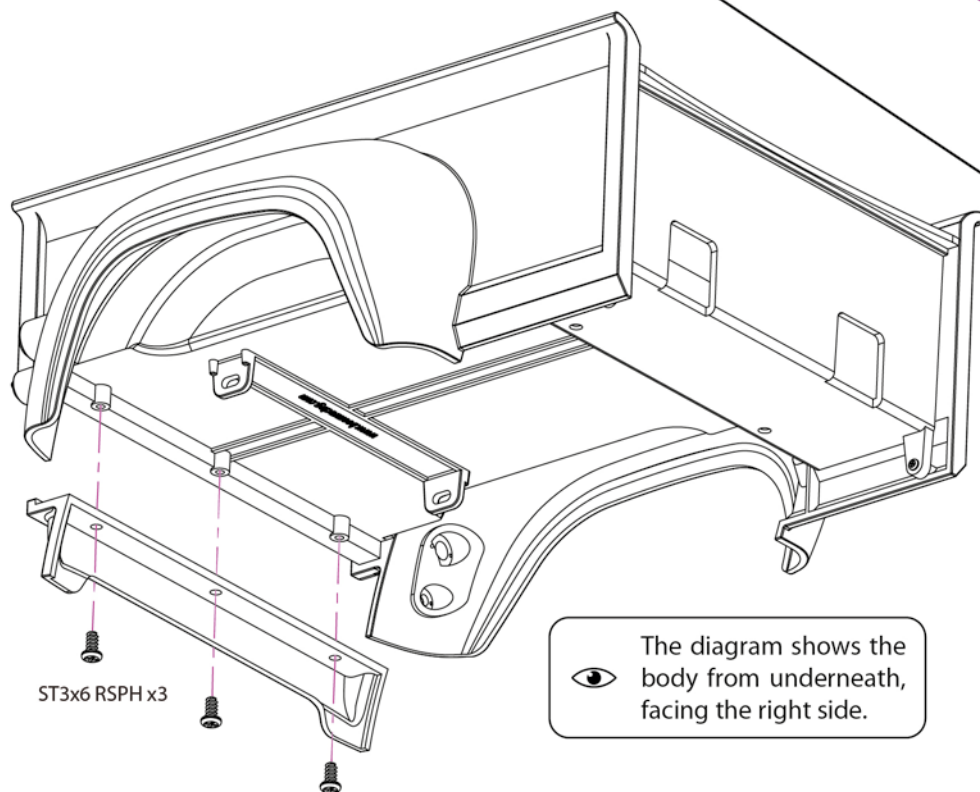
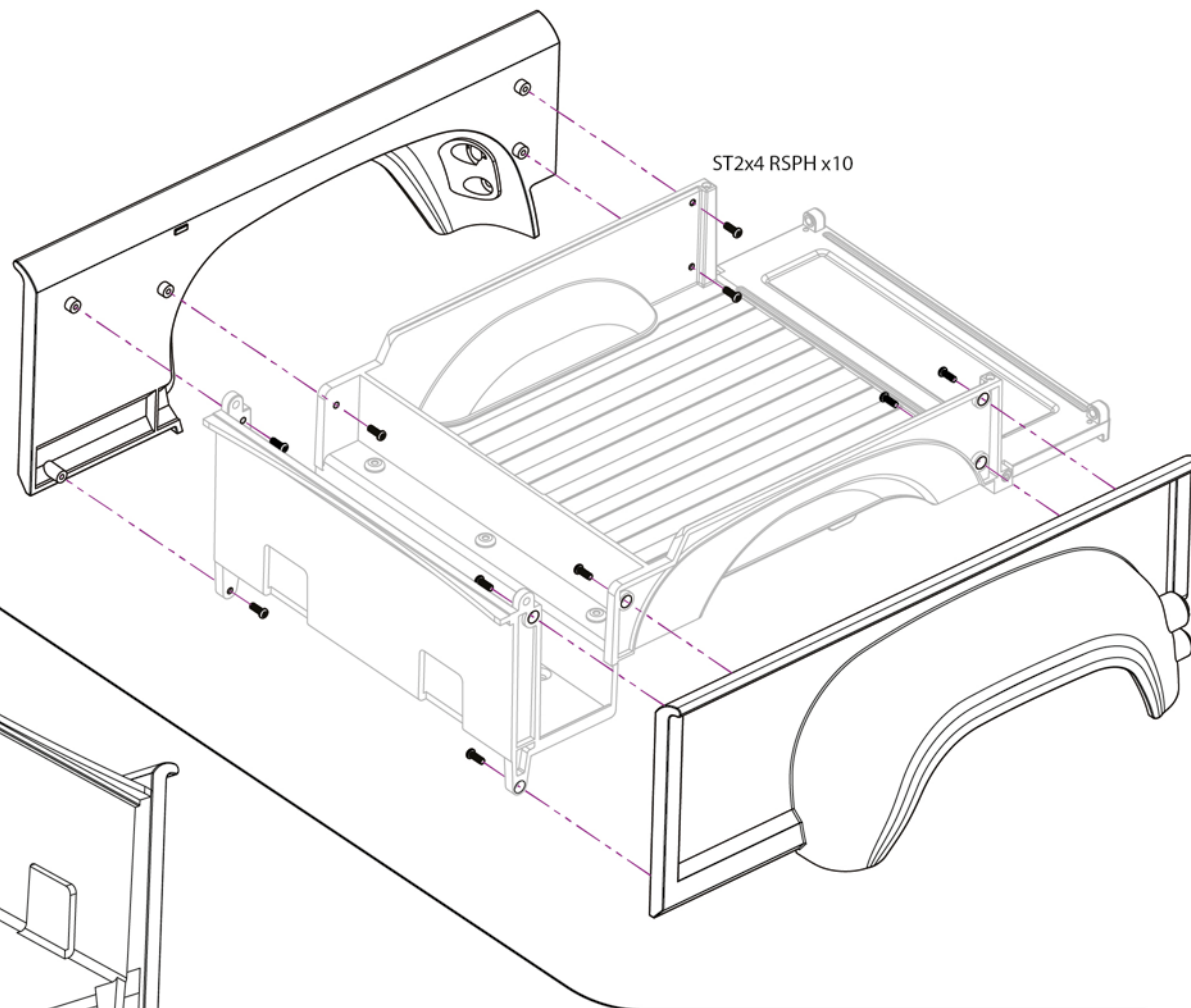
22 To assemble the rear bed, glue the two spring plunger mounts to the tailgate. Insert two spring plungers to the mounts.


Attach the tailgate to the inner rear bed with two ST2x8 RSPH screws. Secure the battery compartment with three M2.5x6 CSS screws as shown.

23

 ST2x4 RSPH x10

23 Secure both rear side panels to the inner rear bed using ten ST2x4 RSPH screws.



 The diagram shows the body from underneath, facing the right side.

24 Attach the rear lower bumper to the bed with three ST3x6 RSPH screws.

24

 ST3x6 RSPH x3

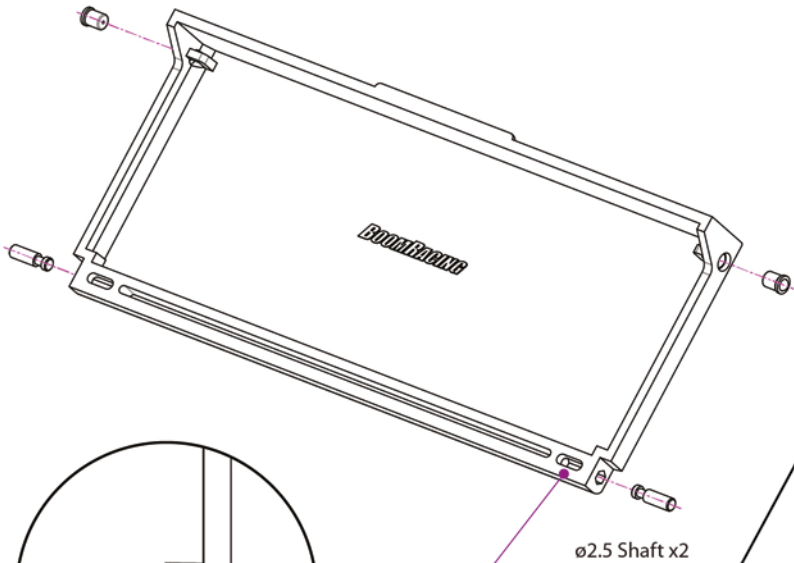
25

D3x4 Spring Plunger x 2

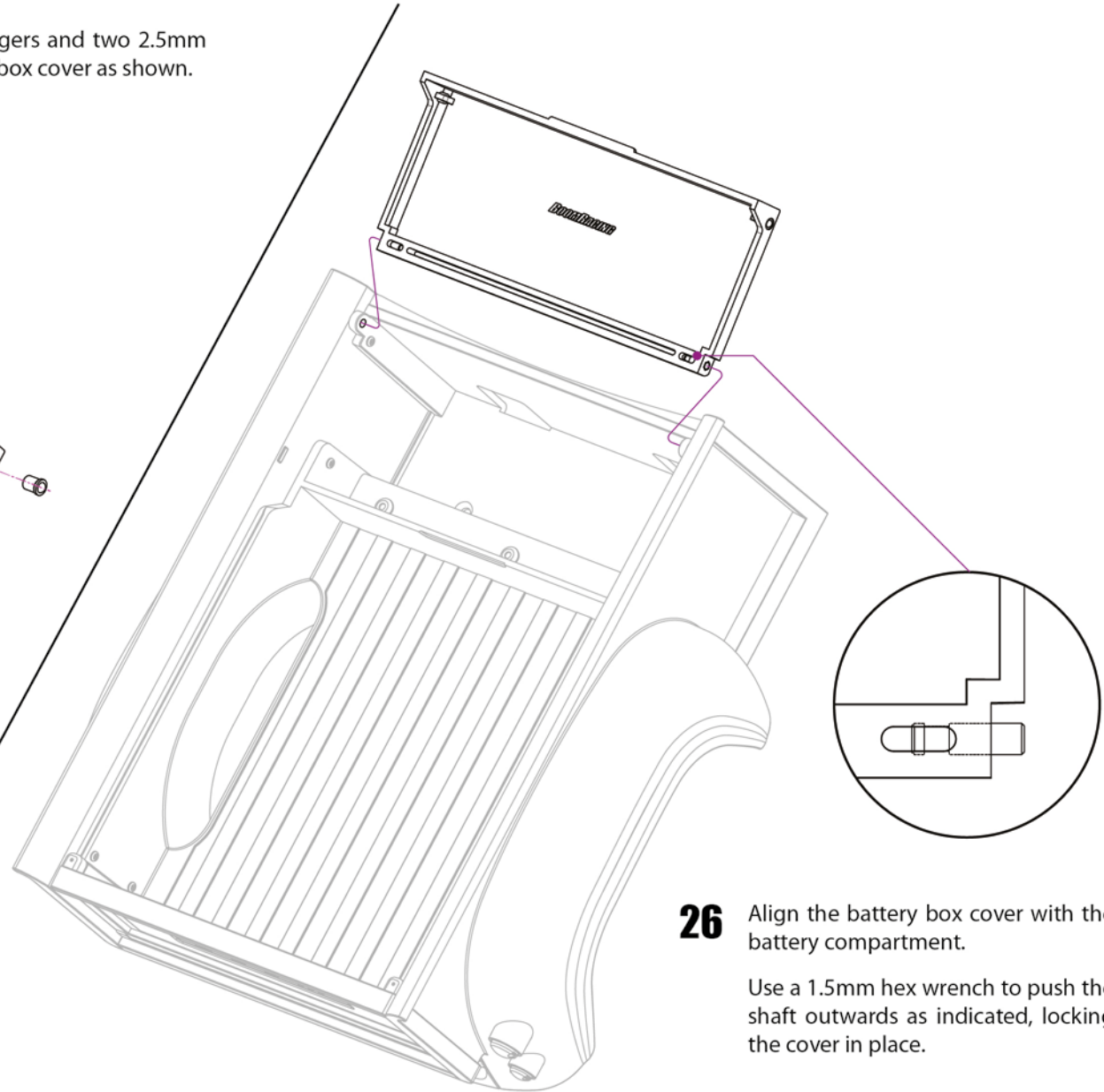
ø2.5 Shaft x 2

25 Insert two spring plungers and two 2.5mm shafts into the battery box cover as shown.

D3x4 Spring Plunger x2



ø2.5 Shaft x2

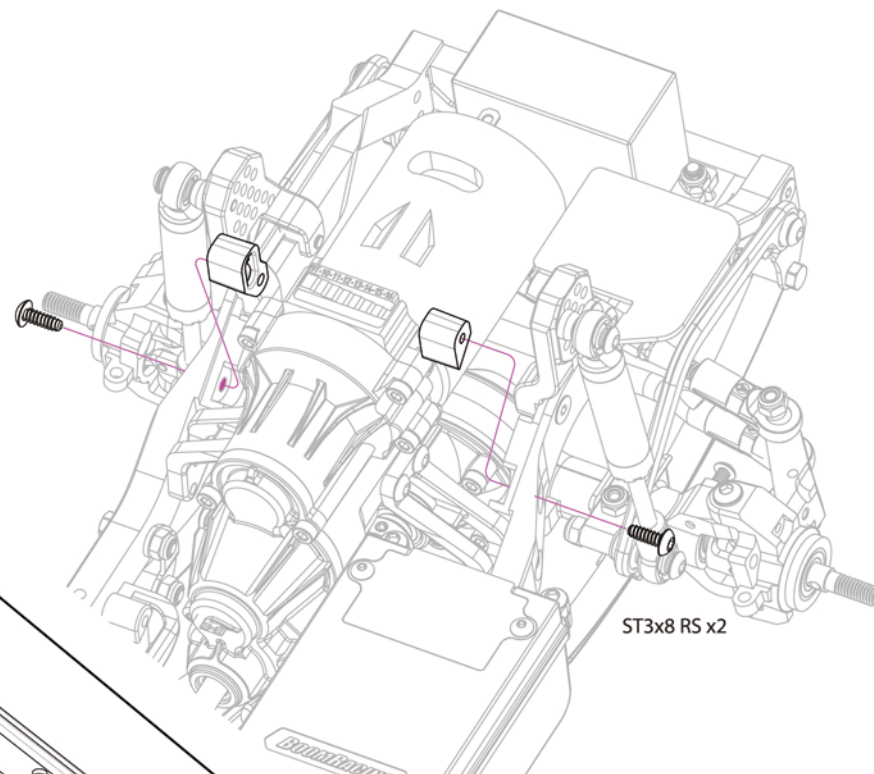
**26** Align the battery box cover with the battery compartment.

Use a 1.5mm hex wrench to push the shaft outwards as indicated, locking the cover in place.

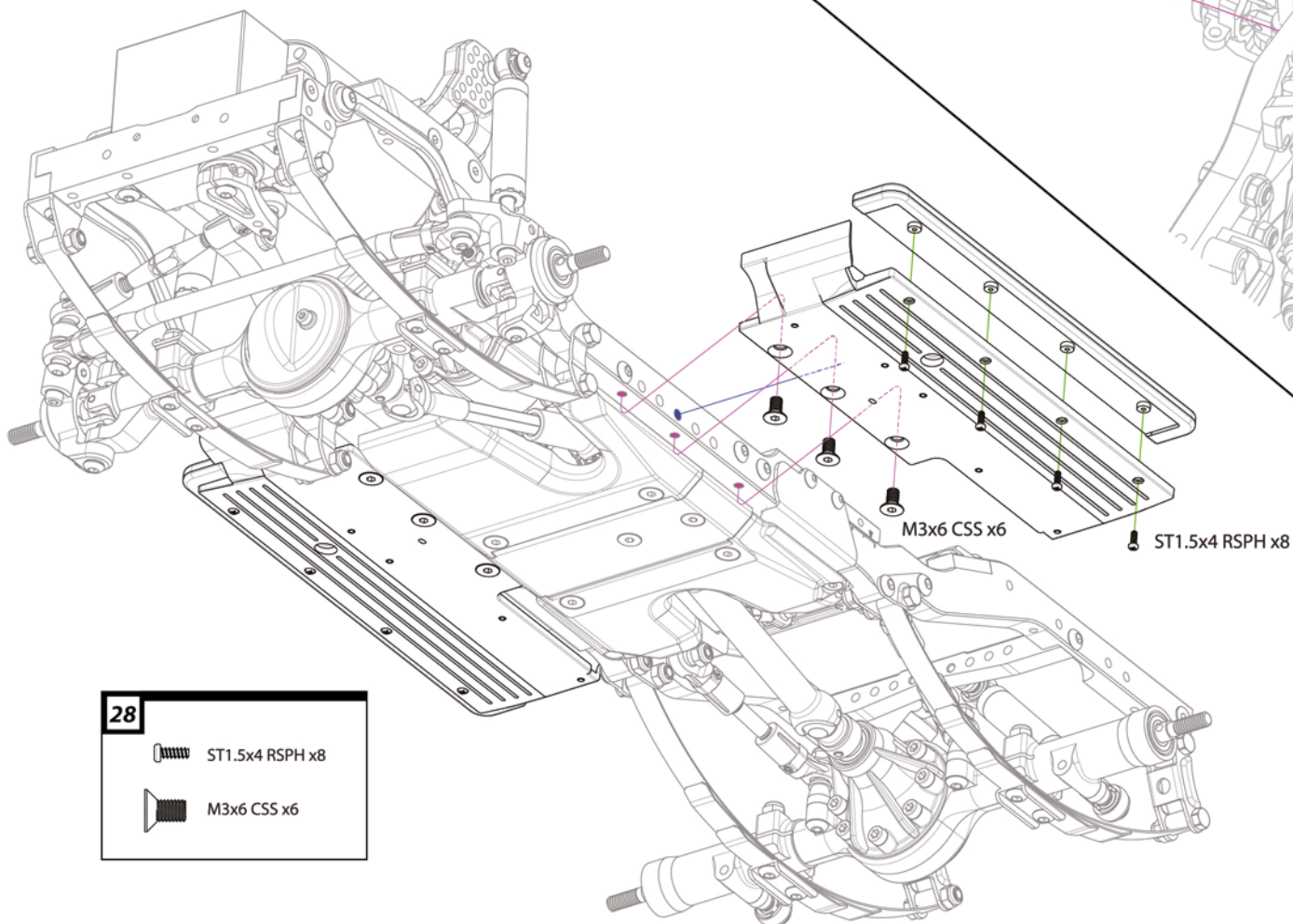
27

 ST3x8 RS x2

27 Mount both front body supports to the chassis with two ST3x8 RS screws.



ST3x8 RS x2



M3x6 CSS x6

ST1.5x4 RSPH x8

28

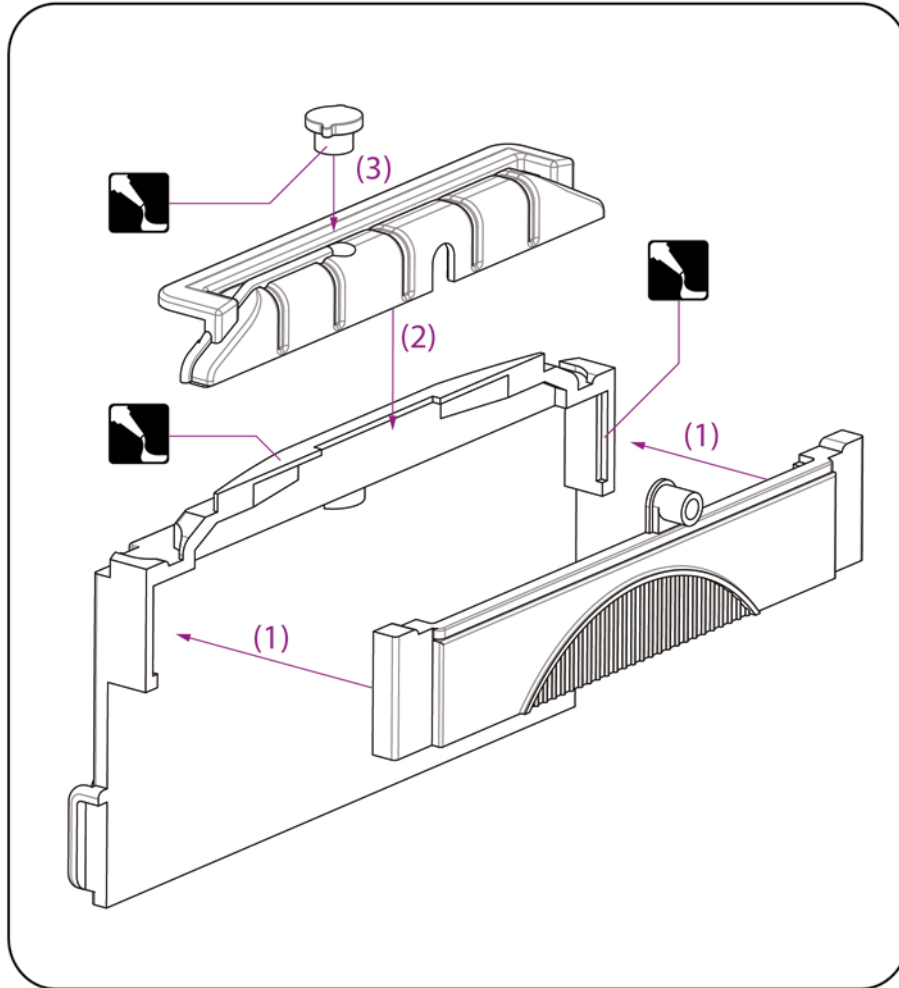
 ST1.5x4 RSPH x8

 M3x6 CSS x6

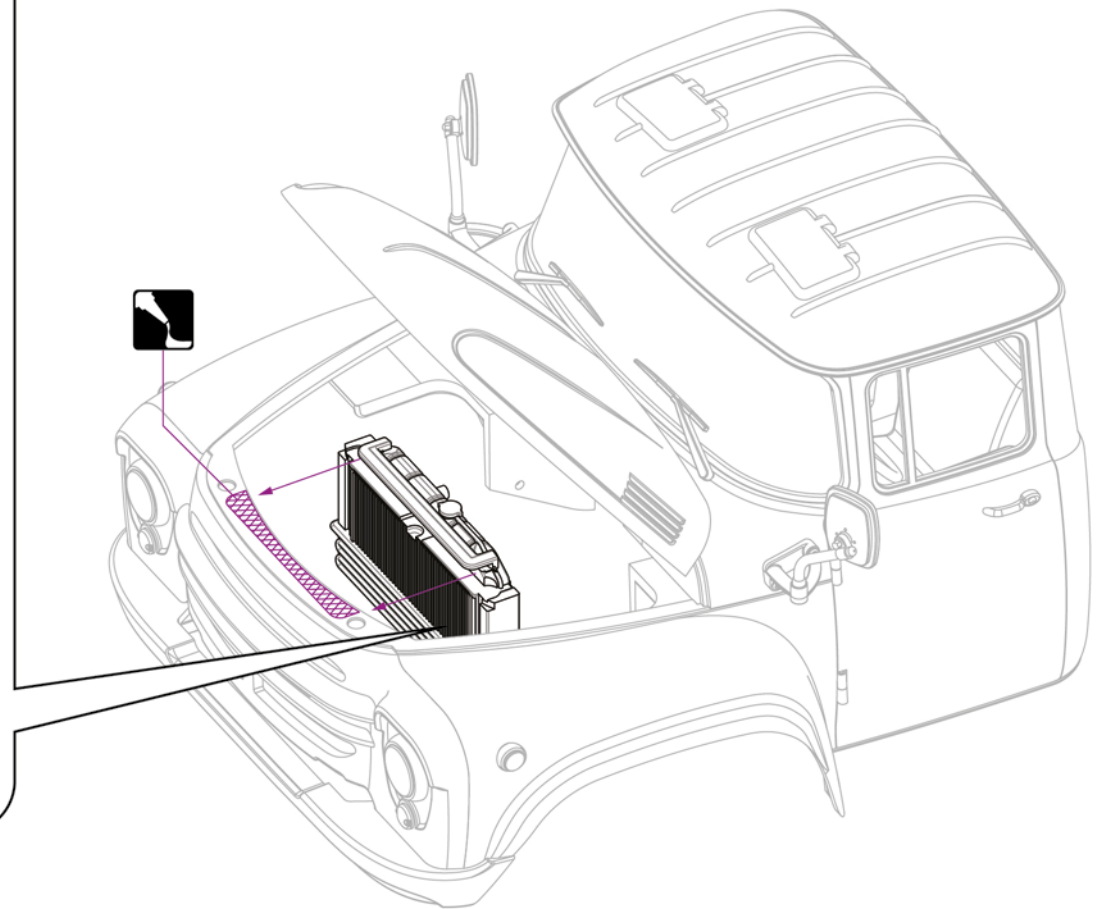
28 To assemble the side sliders, attach the side steps to the center lower sliders with eight ST1.5x4 RSPH screws.

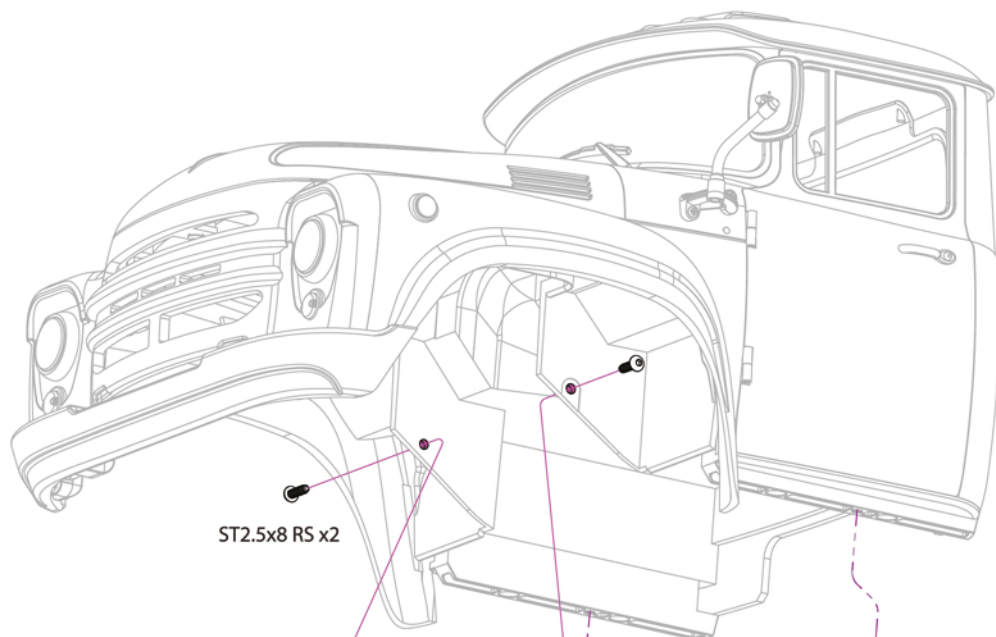
Secure the assembly to the chassis rail with six M3x6 CSS screws.

Chassis parts not included. Illustration for reference only.



29 Glue the radiator assembly together as indicated.

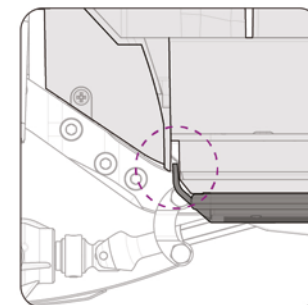




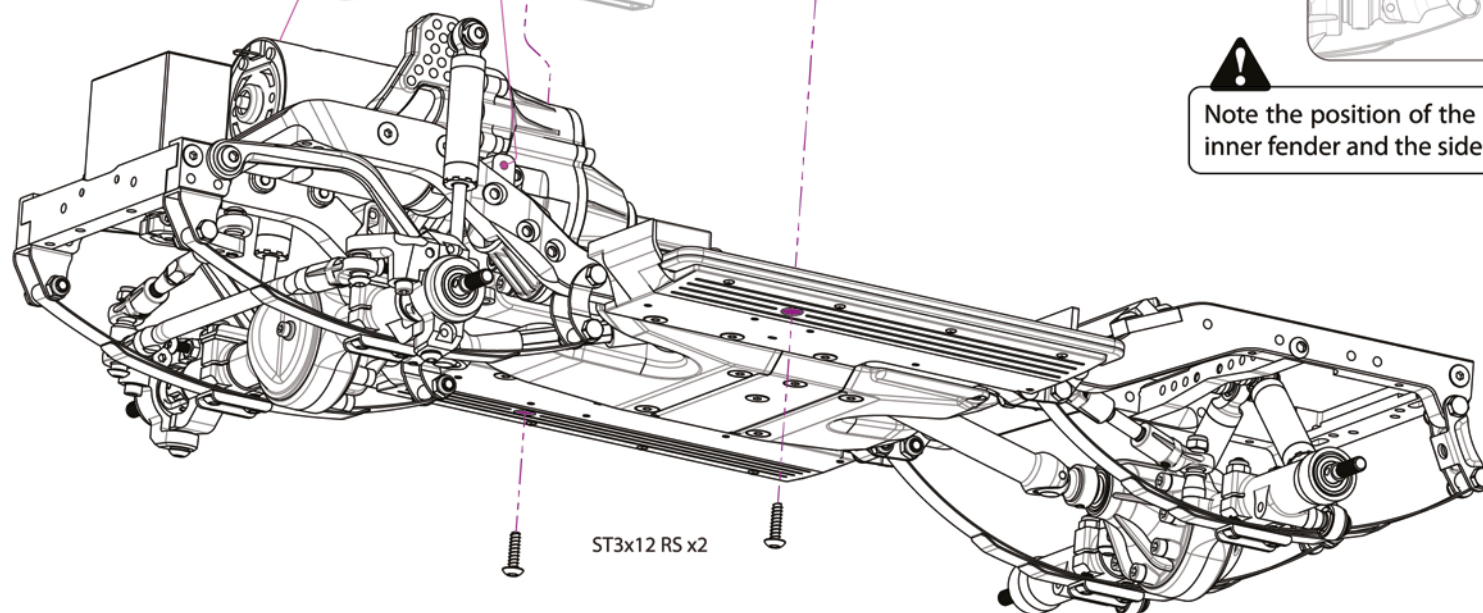
ST2.5x8 RS x2

30 Attach the front main body to the chassis with two ST2.5x8 RS screws and two ST3x12 RS screws.

	ST2.5x8 RS x2
	ST3x12 RS x2



Note the position of the overlap between the inner fender and the side slider.



ST3x12 RS x2

Chassis parts not included. Illustration for reference only.

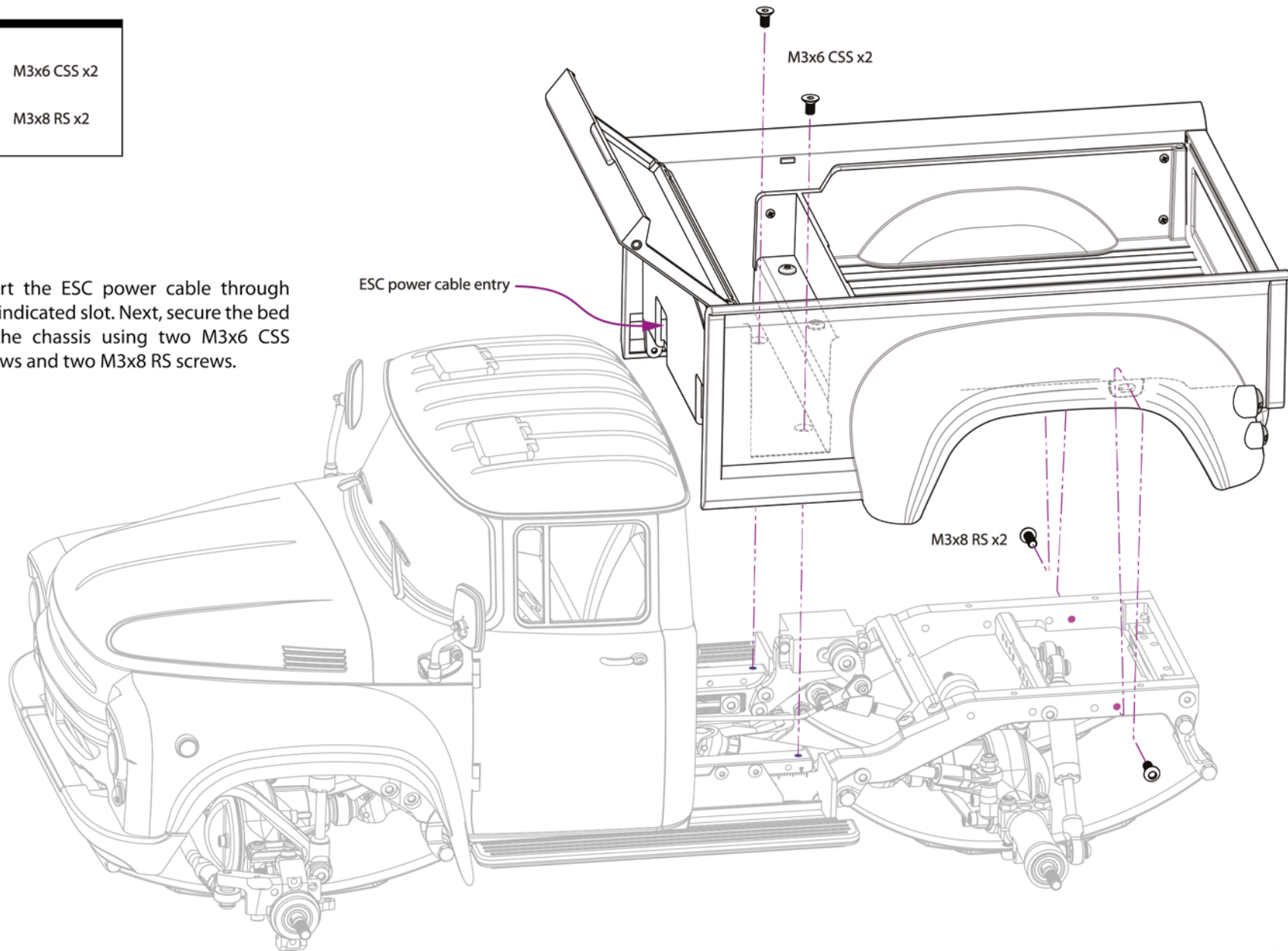
31

M3x6 CSS x2

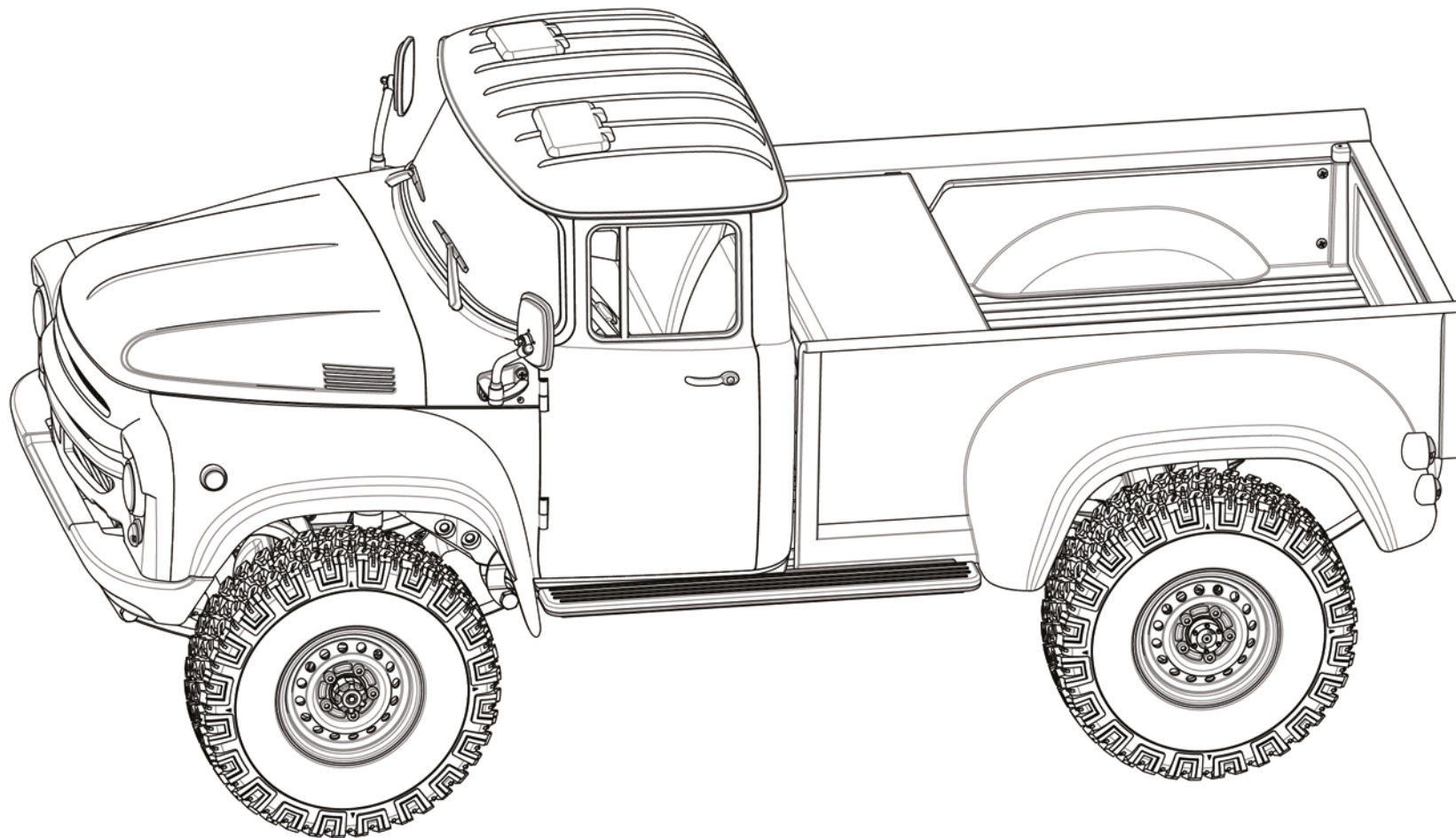


M3x8 RS x2

31 Insert the ESC power cable through the indicated slot. Next, secure the bed to the chassis using two M3x6 CSS screws and two M3x8 RS screws.



Chassis parts not included. Illustration for reference only.



Chassis parts not included. Illustration for reference only.



 @BOOM_RACING

 BOOMRACINGRC

 SALES@BOOMRACING.COM

www.EnjoyBeingABadass.com

BOOMRACING  [®]
Your Radio Control Car Specialist