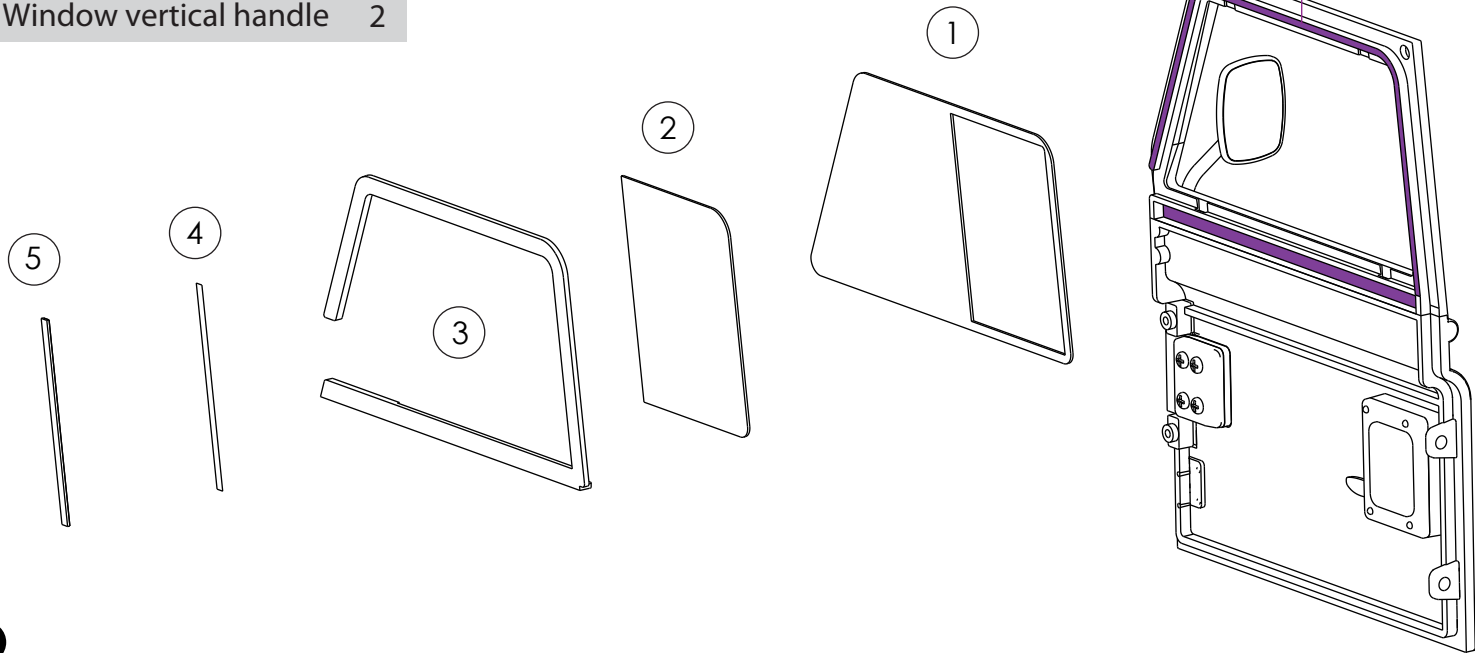


# Opening Front Door Windows for Series Land Rover® Hard Bodies (#BRX02306)

Difficulty Level: ★★☆☆☆

## INSTALLATION MANUAL

Parts Included:	Qty.
(1) Large window	2
(2) Sliding window	2
(3) Window bracket	2
(4) Two-sided tape	2
(5) Window vertical handle	2



**1**

Position the large window to the door frame from the inside.

Place the sliding window over the large window.

Align the window bracket with the door frame and test for smooth operation.

Apply a small amount of glue to secure the assembly in place.

Use the included double-sided tape to attach the vertical handle to the sliding window.