

KUDU™ 3/4 Canvas Soft Top & Hood Set for Series Land Rover 88 (#BRX02417)

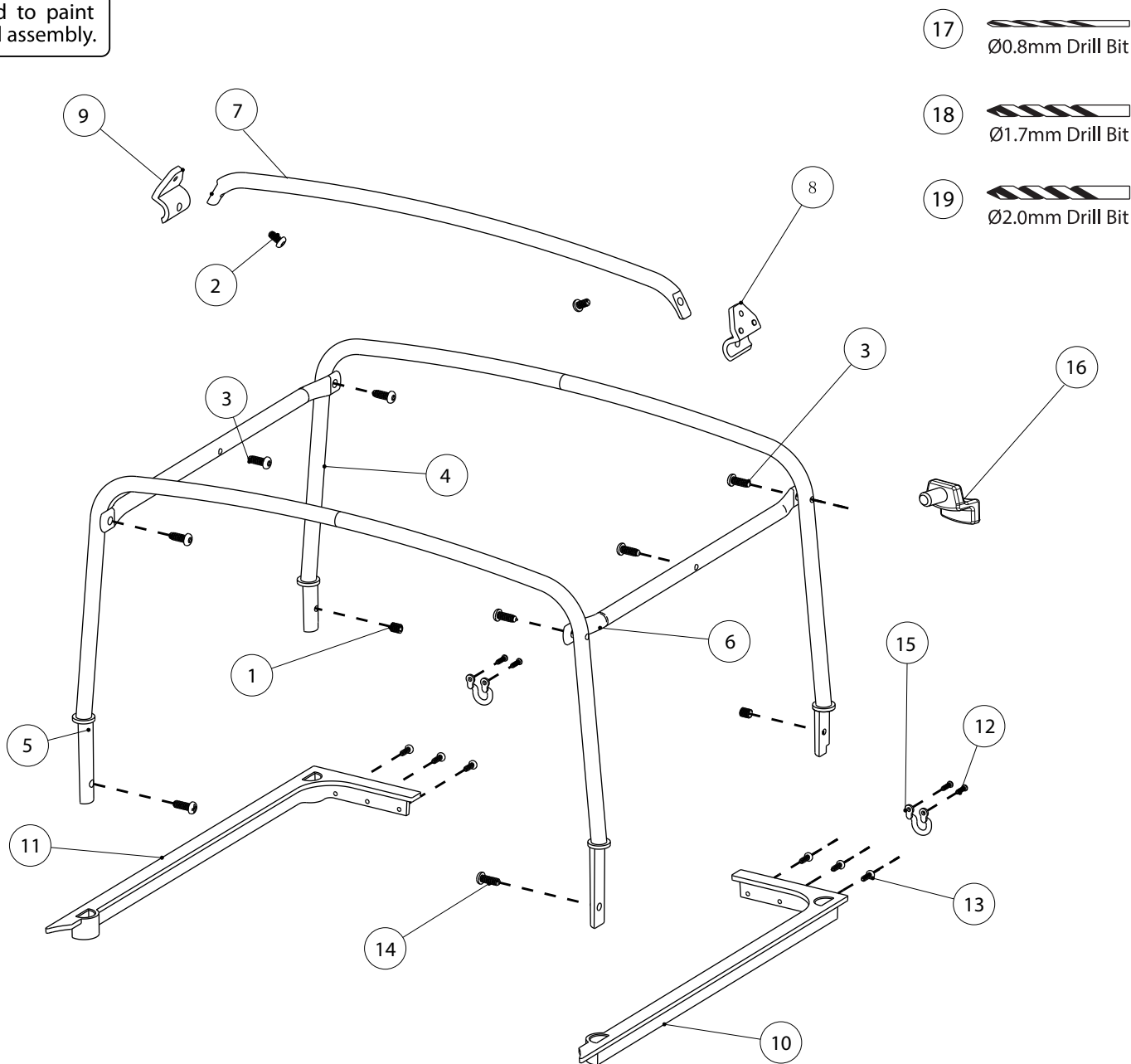
Difficulty Level: ★★☆☆☆

INSTALLATION MANUAL

For best results, we recommend to paint everything first before gluing and assembly.

Parts Included:

	Qty.
(1) M2.5 x 3 Set Screw	2
(2) M2 x 4 RS Screw	2
(3) M2 x 6 RS Screw	6
(4) Rear Hoop Alum	1
(5) Front Hoop Alum	1
(6) Horizontal Tie Bar Alum for Series 88	2
(7) Center Hood Stick Alum	1
(8) Drain Channel Right Door Post Alum	1
(9) Drain Channel Left Door Top Alum	1
(10) Hoop Mount	1
(11) Hoop Mount	1
(12) ST1 x 4 RS Screw	4
(13) ST1.5 x 4 RS Screw	6
(14) ST2 x 5 RS Screw	2
(15) Metal Rear Loop Tie Down	2
(16) Tie Down Cleat	6
(17) Ø0.8mm Drill Bit	1
(18) Ø1.7mm Drill Bit	1
(19) Ø2.0mm Drill Bit	1
(20) Canvas Soft Top	1



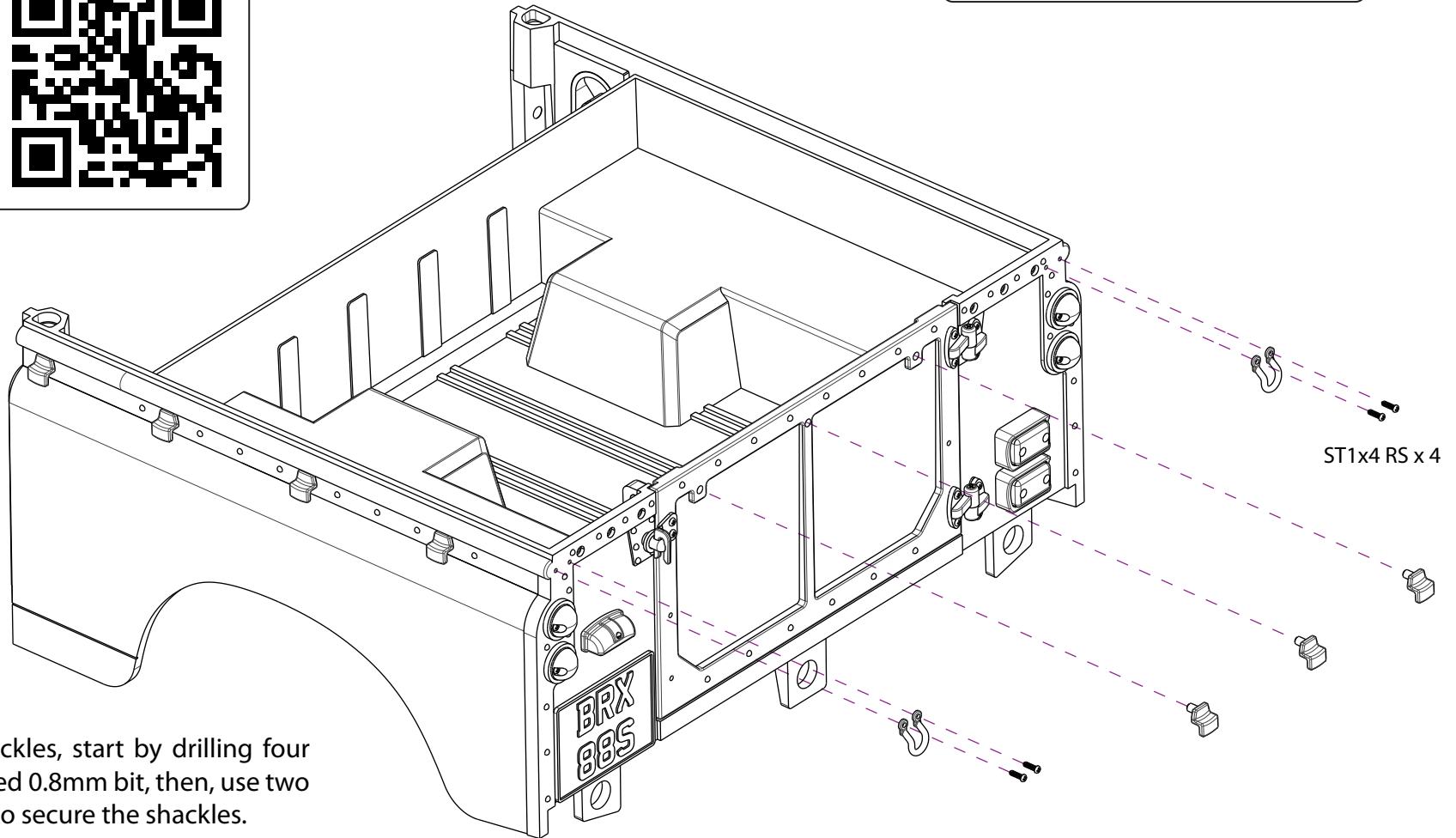
Difficulty Level: ★★☆☆☆

 Scan the QR code to watch the full installation guide

Before installing the cage, scan the QR code and watch the full installation video. If you plan to fit the canvas, some steps must be completed first, before the cage is mounted to the body.



Painting or dyeing the soft top fabric with certain materials may cause shrinkage.



1.

To attach the two shackles, start by drilling four holes using the provided 0.8mm bit, then, use two ST1x4 RS screws each to secure the shackles.

Drill three holes on the tailgate using the provided 2.0mm bit and glue the tie down cleats as shown.

KUDU™ 3/4 Canvas Soft Top & Hood Set for Series Land Rover 88 (#BRX02417)

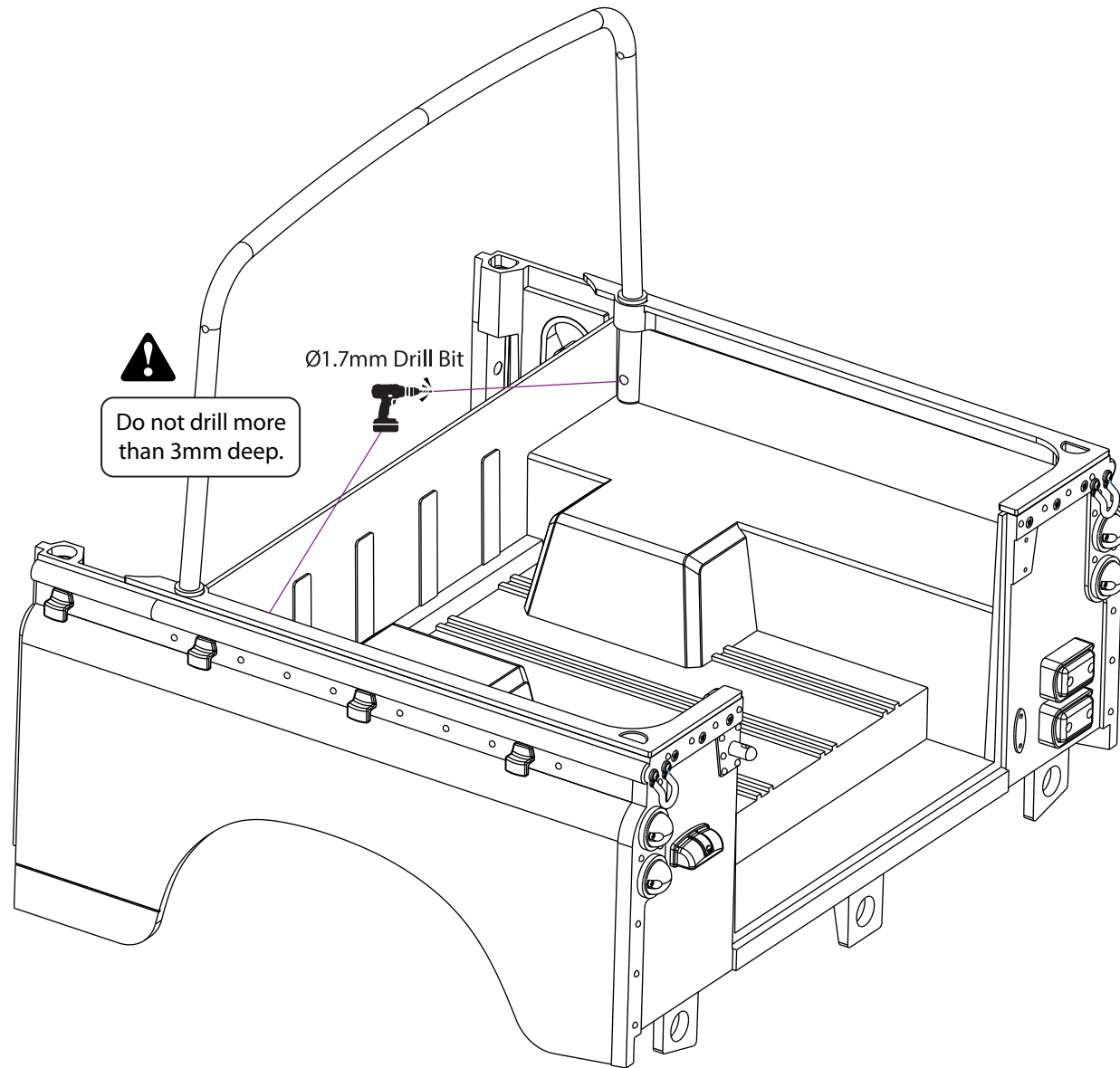
Difficulty Level: ★★☆☆☆

2.

Use the provided 1.7mm bit to drill one hole on each side of the inner wall of the bed.

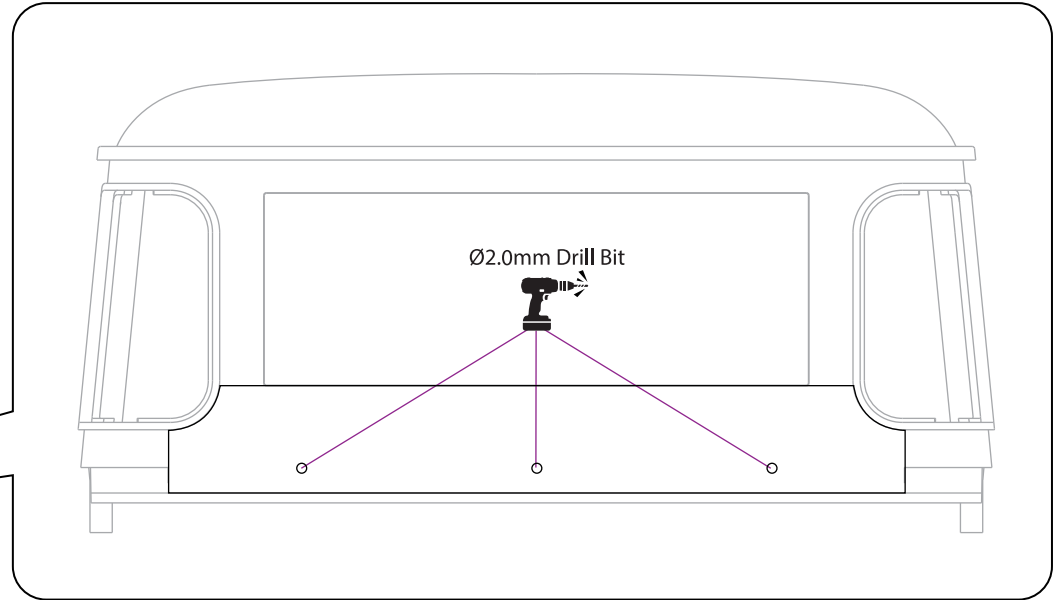
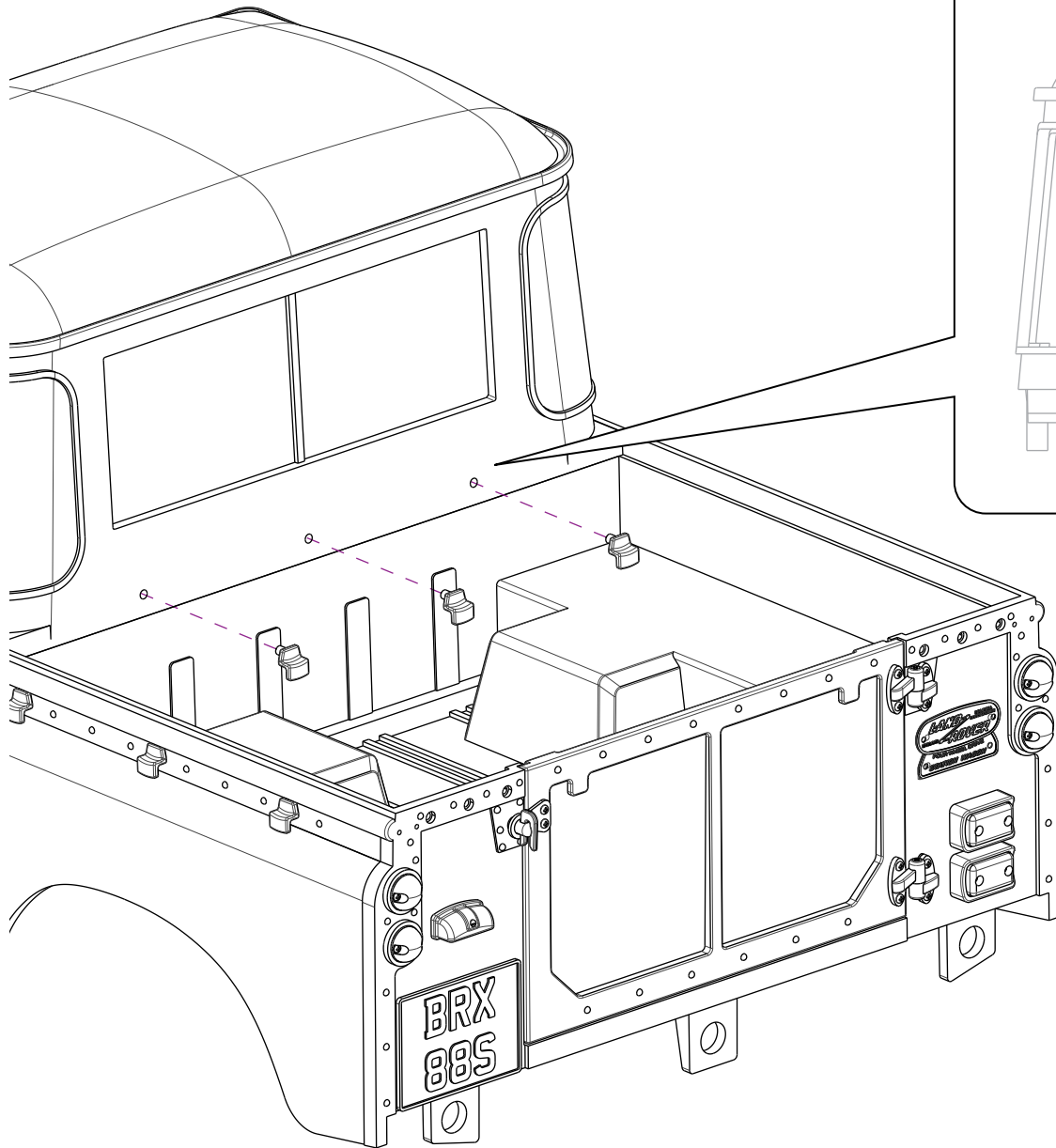
Use the front hoop to mark the position of the holes.

Do not drill more than 3mm deep.



KUDU™ 3/4 Canvas Soft Top & Hood Set for Series Land Rover 88 (#BRX02417)

Difficulty Level: ★★☆☆☆



3.

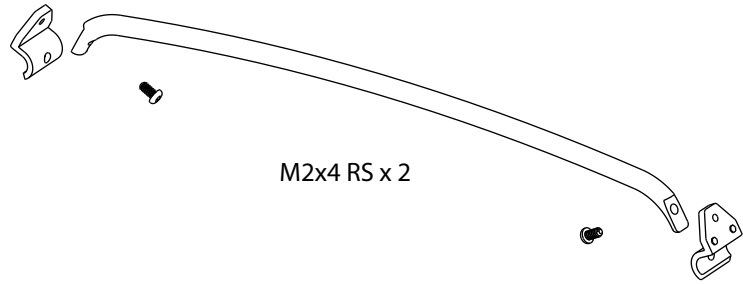
Position the sticker guide onto the rear cab panel as shown.

Drill three holes using the provided 2.0mm bit.

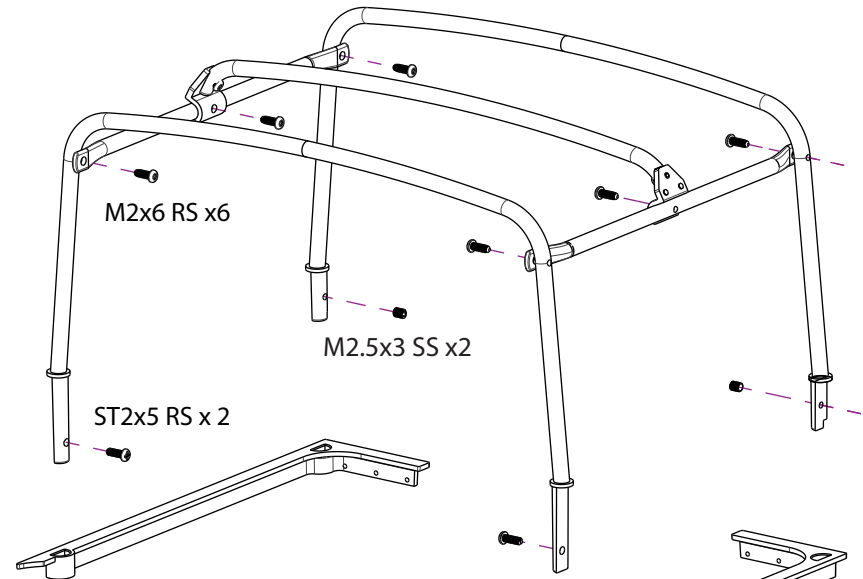
Then, remove the guide, and glue the three tie down cleats as shown.

KUDU™ 3/4 Canvas Soft Top & Hood Set for Series Land Rover 88 (#BRX02417)

Difficulty Level: ★★☆☆☆



M2x4 RS x 2



M2x6 RS x 6

M2.5x3 SS x 2

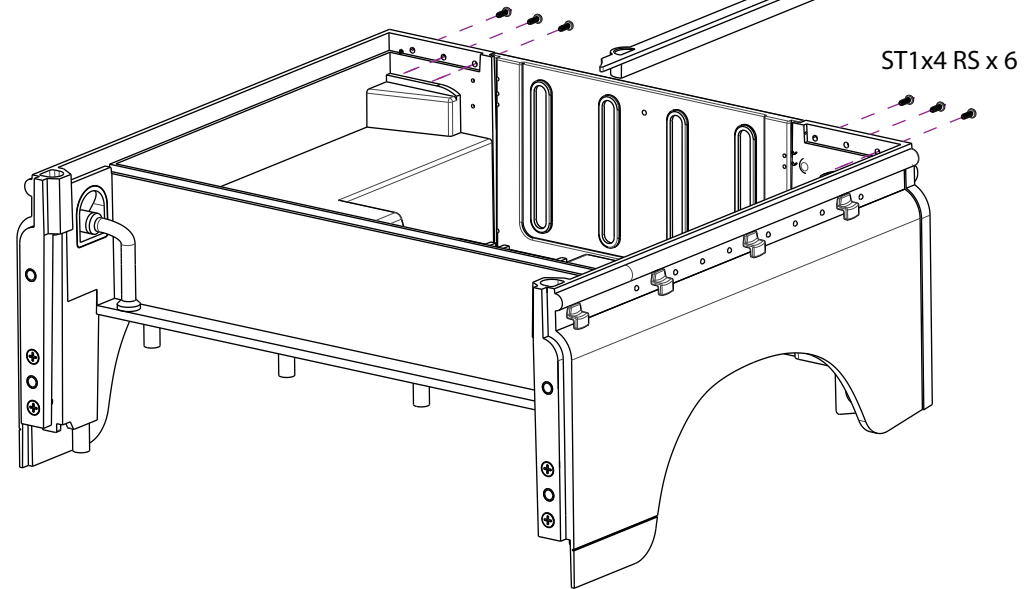
ST2x5 RS x 2

4.

Attach the two brackets to the top center hoop using one M2x4 RS screw each.

Build the hoop assembly by attaching the two horizontal tie bars to the three hoops with six M2x6 RS screws. Next, attach the two hoop mounts to the body and secure each side with three ST1.5x4 RS screws.

Insert the hoop assembly into the hoop mounts. Attach two ST2x5 RS screws to the front hoop, and two M2.5x3 SS screws to secure the rear hoop.



ST1x4 RS x 6

KUDU™ 3/4 Canvas Soft Top & Hood Set for Series Land Rover 88 (#BRX02417)

Difficulty Level: ★★☆☆☆

