

Brass Knuckle Weight System for BRX70/BRX90 Axle

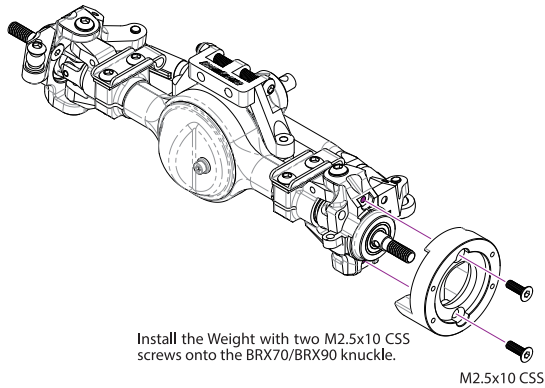
① Front Knuckle Base Weights for BRX70/BRX90 Axle #BRLC7089

② Rear Knuckle Base Weights for BRX70 Axle #BRLC7090

③ Rear Knuckle Base Weights for BRX90 Axle #BRD9024

Instruction Manual

Brass Knuckle Base Weights for BRX70/BRX90 Front Axles



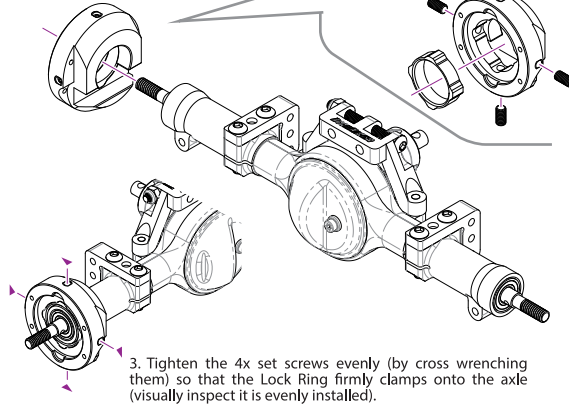
Install the Weight with two M2.5x10 CSS screws onto the BRX70/BRX90 knuckle.

M2.5x10 CSS

WWW.BOOMRACINGRC.COM

Brass Knuckle Base Weights for BRX70 Rear Axles

2. Place the Weight onto the axle lockout as shown.

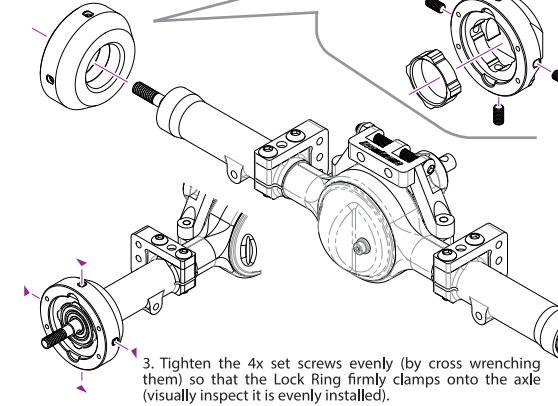


1. Place the Lock Ring into the Weight. Without over tightening, gently wrench 4x set screws just enough so the Lock Ring is steady.

3. Tighten the 4x set screws evenly (by cross wrenching them) so that the Lock Ring firmly clamps onto the axle (visually inspect it is evenly installed).

Brass Knuckle Base Weights for BRX90 Rear Axles

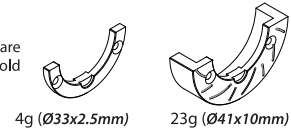
2. Place the Weight onto the axle lockout as shown.



1. Place the Lock Ring into the Weight. Without over tightening, gently wrench 4x set screws just enough so the Lock Ring is steady.

3. Tighten the 4x set screws evenly (by cross wrenching them) so that the Lock Ring firmly clamps onto the axle (visually inspect it is evenly installed).

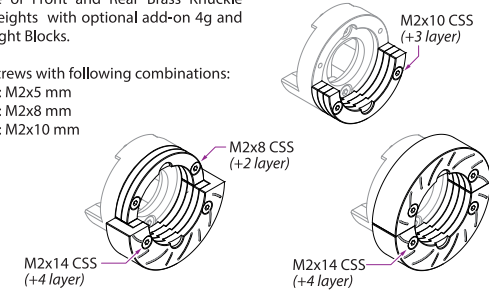
Extra M2 screws with different lengths are provided for optional Weight Blocks (sold separately).



4g (Ø33x2.5mm) 23g (Ø41x10mm)

Example of Front and Rear Brass Knuckle Base Weights with optional add-on 4g and 23g Weight Blocks.

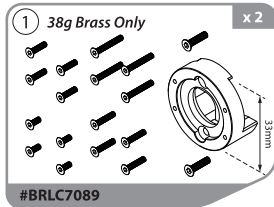
Apply screws with following combinations:
+1 layer: M2x5 mm
+2 layer: M2x8 mm
+3 layer: M2x10 mm



M2x14 CSS (+4 layer)

M2x14 CSS (+4 layer)

Brass Knuckle Weight System for BRX70/BRX90 Axle



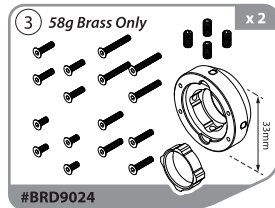
① 38g Brass Only x 2

#BRLC7089



② 44g Brass Only x 2

#BRLC7090



③ 58g Brass Only x 2

#BRD9024



④ Lock Ring x 2

#BRD9024A

Parts Included: Qty.

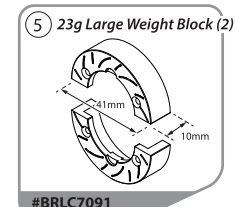
(1) #BRLC7089	
Brass Front Knuckle Weight - 38g	2
M2.5x10 CSS Screw	4
M2x14 CSS Screw	8
M2x10 CSS Screw	8
M2x8 CSS Screw	8
M2x5 CSS Screw	8

(2) #BRLC7090	
Brass Rear Knuckle Weight - 44g	2
Lock Ring	2
M Set Screw	2
M2x14 CSS Screw	8
M2x10 CSS Screw	8
M2x8 CSS Screw	8
M2x5 CSS Screw	8

Parts Included: Qty.

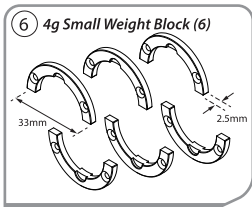
(3) #BRD9024 (for BRX90)	
Brass Rear Knuckle Weight - 58g	2
Lock Ring	2
M3x6 Set Screw	8
M2x14 CSS Screw	8
M2x10 CSS Screw	8
M2x8 CSS Screw	8
M2x5 CSS Screw	8

(4) #BRD9024A	
Lock Ring	2
M3x6 Set Screw	8
(5) #BRLC7091	
Weight Block (Large) - 23g	2
(6) #BRLC7092	
Weight Block (Small) - 4g	6



⑤ 23g Large Weight Block (2)

#BRLC7091



⑥ 4g Small Weight Block (6)

#BRLC7092

WWW.BOOMRACINGRC.COM

YOUR R/C HOP-UPS SPECIALIST

We love building scale models. Let's be honest. Which badass doesn't love a beautiful looking car? Our focus is on designing the best looking products that really perform; products that withstand beating and still look great enough to be shelf queens. Offering you the latest designs made with the highest possible quality at affordable prices is our absolute focus for all enthusiastic hobbyists.

Since 2012, Boom Racing has been manufacturing extreme performance RC products. We want you to love and enjoy these amazing "scale" and "performance" based products to create your own unique realistic RC builds.

We are never going to stop at giving you the best updates and upgrades on our product lines. That's our passion and our commitment to keep you on your toes with excitement and anticipation for what's to come next.

Enjoy being a BADASS!



#boomracing



BoomRacing



Brass Knuckle Weight System for BRX70/BRX90 Axle

#BRLC7089 (BRX70/BRX90 Front Axle)
#BRLC7090 (BRX70 Rear Axle)
#BRD9024 (BRX90 Rear Axle)



ENJOY BEING A BADASS