



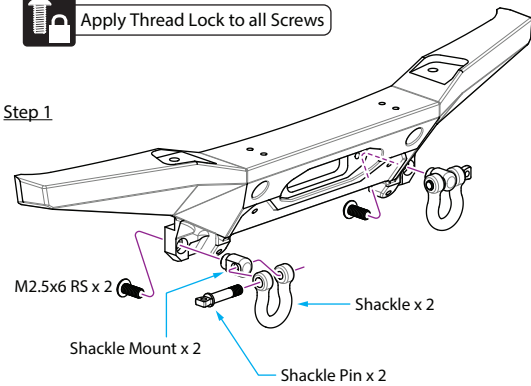
# KUDU™ High Clearance Bumper Kit for BRX01 w/ LC70 (#BRLC7094)



## Instruction Manual

Apply Thread Lock to all Screws

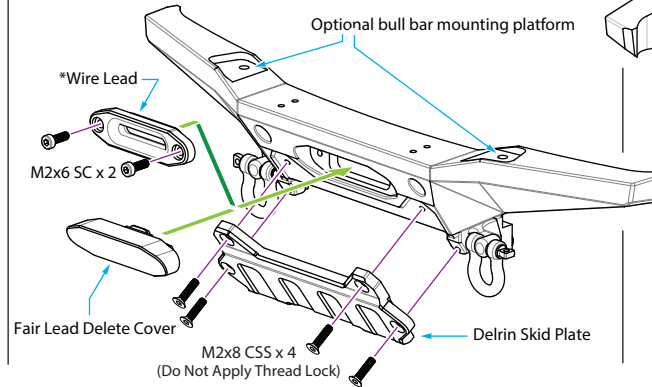
### Step 1



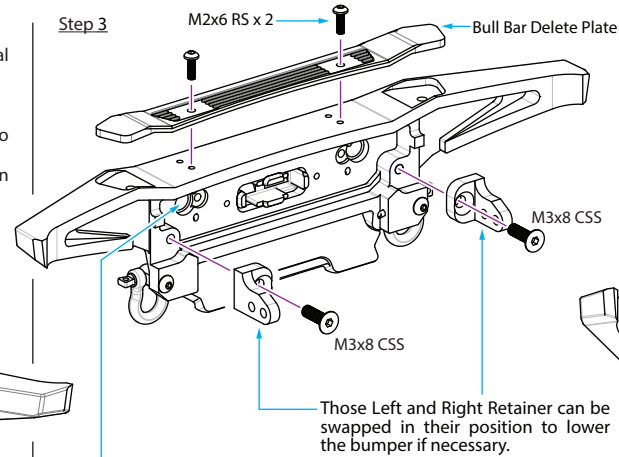
### Step 2

\* A winch Wire Lead is included for when you want to install an internal servo winch.

What is required to install an internal servo winch:  
A 4-link Conversion (#BRLC7079) with Axle Mounted Steering Servo (#BRT10043) is required to free up the space for an internal servo winch. Recommended to use the Alum LC70 Body Mount (#BRLC7098) when using an internal servo winch.

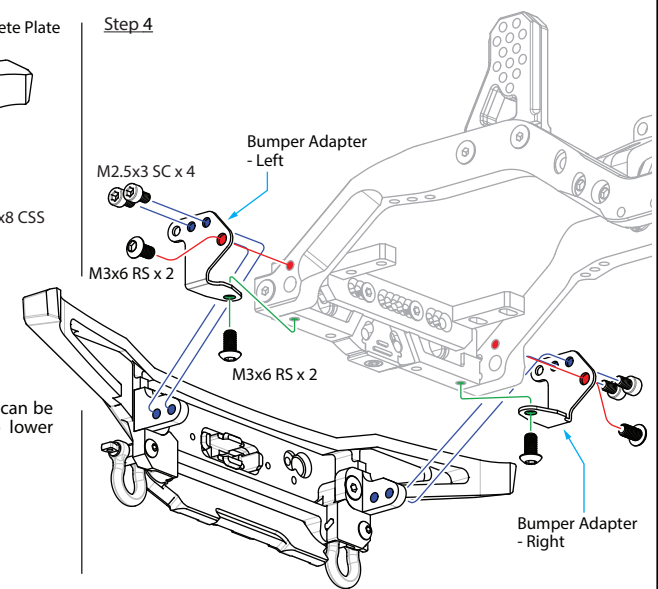


### Step 3



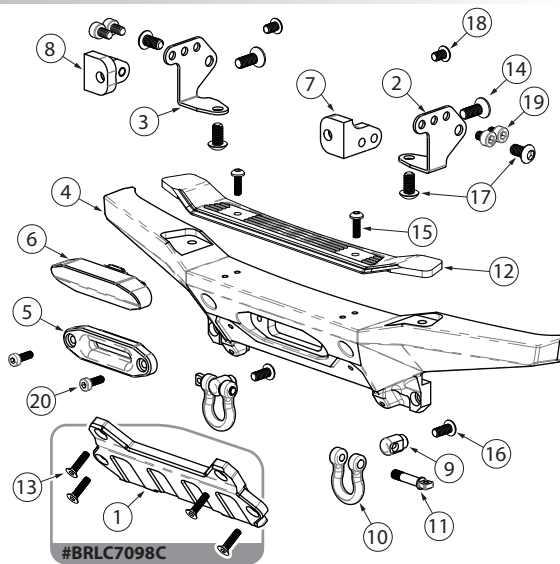
Holes for installing standard ø5mm LED (not included). Use M2.5x4mm screw provided for securing.

### Step 4



WWW.BOOMRACINGRC.COM

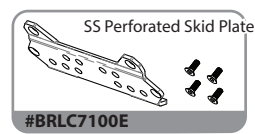
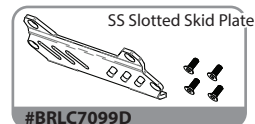
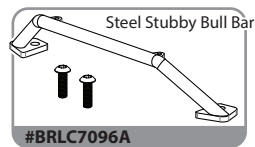
## KUDU™ High Clearance Bumper Kit for BRX01 w/ LC70



### Parts Included: Qty.

|                                       |   |
|---------------------------------------|---|
| (1) Delrin Skid Plate #BRLC7098C      | 1 |
| (2) Left Bumper Adapter               | 1 |
| (3) Right Bumper Adapter              | 1 |
| (4) High Clearance Bumper             | 1 |
| (5) Wire Lead                         | 1 |
| (6) Fair Lead Delete Cover            | 1 |
| (7) Bumper Retainer - Left            | 1 |
| (8) Bumper Retainer - Right           | 1 |
| (9) Shackle Mount                     | 2 |
| (10) Shackle                          | 2 |
| (11) Shackle Pin                      | 2 |
| (12) Bull Bar Delete Plate #BRLC7101F | 1 |
| (13) M2x8 CSS Screw #BRASFH2008       | 4 |
| (14) M3x8 CSS Screw #BRASFH3008       | 2 |
| (15) M2x6 RS Screw #BRASBH2006        | 2 |
| (16) M2.5x6 RS Screw #BRASBH2506      | 2 |
| (17) M3x6 RS Screw #BRASBH3006        | 4 |
| (18) M2.5x4 RS Screw #BRASBH2504      | 2 |
| (19) M2.5x3 SC Screw #BRASCH2503      | 4 |
| (20) M2x6 SC Screw #BRASCH2006        | 2 |

### Optional Parts



### YOUR R/C HOP-UPS SPECIALIST

We love building scale models. Let's be honest. Which badass doesn't love a beautiful looking car? Our focus is on designing the best looking products that really perform; products that withstand beating and still look great enough to be shelf queens. Offering you the latest designs made with the highest possible quality at affordable prices is our absolute focus for all enthusiastic hobbyists.

Since 2012, Boom Racing has been manufacturing extreme performance RC products. We want you to love and enjoy these amazing "scale" and "performance" based products to create your own unique realistic RC builds.

We are never going to stop at giving you the best updates and upgrades on our product lines. That's our passion and our commitment to keep you on your toes with excitement and anticipation for what's to come next.

Enjoy being a BADASS!



#boomracing



www.facebook.com/boomracingrc

www.boomracingrc.com



## KUDU™ High Clearance Bumper Kit for BRX01 w/ LC70 #BRLC7094

Difficulty Level: ★☆☆☆☆



ENJOY BEING A BADASS

Copyright © Boom Racing Co. Ltd

WWW.BOOMRACINGRC.COM